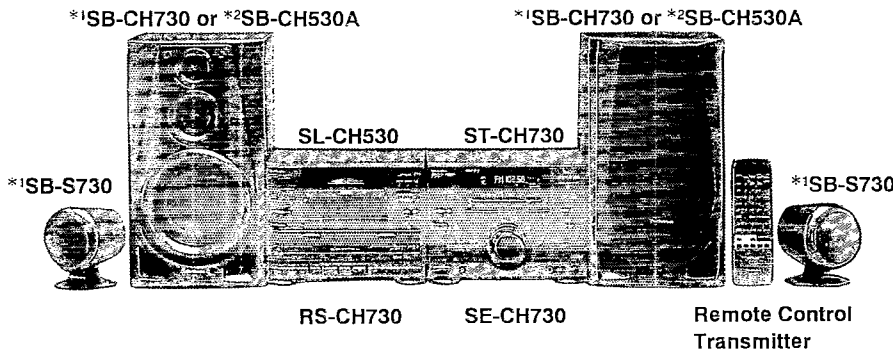


Service Manual

Amplifier

Amplifier

SE-CH730



Colour

(K) : Black

Areas

Suffix for Model No.	Area	Colour
(E)	Europe	(K)
(EB)	Britain	
(EG)	Germany and Italy	
(GC)	Asia, Latin America, Middle East, Africa and Oceania	

Note: The design of SB-CH530A is differ from the above picture.

Because of unique interconnecting cables, when a component requires service, send or bring in the entire system.

System: SC-CH730

Specifications

Power output

DIN 1 kHz, THD 1%, both channel driven 2 × 50 W (6 Ω)
 RMS 1 kHz, THD 10%, both channel driven
 [For (E), (EB) and (EG) areas] 2 × 70 W (6 Ω)
 [For (GC) area] 2 × 65 W (6 Ω)

PRO LOGIC mode

DIN 1 kHz, THD 1 %
 MAIN (both channels driven) 2 × 40 W (6 Ω)
 SURROUND 40 W (4 Ω + 4 Ω)
 CENTER 40 W (8 Ω)

RMS 1 kHz, THD 10 %
 MAIN (both channels driven) 2 × 50 W (6 Ω)
 SURROUND 50 W (4 Ω + 4 Ω)
 CENTER 50 W (8 Ω)

Total harmonic distortion

Rated power at 1 kHz 1% (6 Ω)
 Half power at 1 kHz 0.09% (6 Ω)

Load impedance

MAIN 6 Ω – 8 Ω

SURROUND

4 Ω – 8 Ω

CENTER

8 Ω

S/N (rated power)

MAIN

90 dB

■ General

Power consumption

213 W

Power supply

[For (E) and (EG) areas] 230 V, AC 50/60 Hz

[For (EB) area] 230 – 240 V, AC 50/60 Hz

[For (GC) area] 110/127/220/230-240 V, AC 50/60 Hz

Dimensions (W × H × D)

270 × 118.5 × 341.5 mm

Weight

4.8 kg

Notes:

Specifications are subject to change without notice.

Weight and dimensions are approximate.

Total harmonic distortion is measured by the digital spectrum analyzer.

Area	System	Tuner/sound processor	Compact disc player	Amplifier	Cassette deck	Right and left speakers	Surround speakers
(E) (EB) (EG)	SC-CH730	ST-CH730	SL-CH530	SE-CH730	RS-CH730	*1 SB-CH730	*1 SB-S730
(GC)						*2 SB-CH530A	—

*1 For (E) (EB) and (EG) areas Made in PAES

*2 For (GC) area Made in NABEL

⚠ WARNING

This service information is designed for experienced repair technicians only and is not designed for use by the general public. It does not contain warnings or cautions to advise non-technical individuals of potential dangers in attempting to service a product. Products powered by electricity should be serviced or repaired only by experienced professional technicians. Any attempt to service or repair the product or products dealt with in this service information by anyone else could result in serious injury or death.

Technics®

© 1995 Matsushita Electric Industrial Co., Ltd.
 All rights reserved. Unauthorized copying and distribution is a violation of law.

Contents

	Page		Page
Before Repair	2	Adjusting the Delay Time	12, 11
Protection Circuitry	2	Operation Check and	
Accessories	2	Main Component Replacement Procedures	13 ~ 15
Caution of AC Mains Lead	3	Power Source ON/OFF of This Unit	15
Location of Controls	3	Schematic Diagram	16 ~ 19
Stacking the Components	4	Printed Circuit Board Diagram	20 ~ 23
Connections	4 ~ 6	Wiring Connection Diagram	23
Optional Antenna Connections	7	Block Diagram	24
External Unit Connection	8, 9	Replacement Parts List	25 ~ 28
Using the Dolby Pro-Logic Surround	10	Cabinet Parts Location	29
Adjusting Speaker Output Level	11	Packaging	30

Before Repair

- (1) Turn off the power supply. Using a 10 Ω, 10 W resistor, connect both ends of power supply capacitors (C701, C702) in order to discharge the voltage.
- (2) Before turning the power supply on, after completion of repair, slowly apply the primary voltage by using a power supply voltage controller to make sure that the consumed current at 50/60 Hz in NO SIGNAL mode should be shown below with respect to supply voltage 230 V/240 V.

Area	(E) (EG)		(GC)	
	(E) (EG)	(EG)	(GC)	(GC)
Power supply voltage	AC 230 V	AC 240 V	AC 110 V	AC 240 V
Consumed current 50 Hz	60 ~ 200 mA	60 ~ 420 mA	180 ~ 200 mA	60 ~ 200 mA

Protection Circuitry

The protection circuitry may have operated if either of the following conditions is noticed:

- * No sound is heard when the power is switched ON.
- * Sound stops during a performance.

The functions of this circuitry is to prevent circuitry damage if, for example, the positive and negative speaker connection wires are "shorted", or if speaker systems with an impedance less than the indicated rated impedance of this unit are used.

If this occurs, follow the procedure outlined below:

1. Switch OFF the power.
2. Determine the cause of the problem and correct it.
3. Switch ON the power once again.

Note:
When the protection circuitry functions, the unit will not operate unless the power is first switched OFF and then ON again.

Accessories

- AC power supply cord
(E), (EG) and (GC) areas : (RJA0019-2K) 1
(EB) area : (VJA0733) 1
- Flat cable
Long (REX0661) 1
Medium (REX0660) 1
Short (REX0608) 1
- Remote control transmitter
(E), (EB) and (EG) areas : (RAK-CH740WH) ... 1
(GC) area : (RAK-CH741WH) 1
- Batteries
(UM-4, "AAA", R03) 2
- AM (LW/MW) loop antenna
(RSA0012) 1
- Antenna holder
(RMN0244) 1
- Mounting screw
(XTN3+12AFZ) 1
- FM indoor antenna
(E), (EB) and (EG) areas : (RSA0007) 1
(GC) area : (RSA0006) 1
- Speaker cords
(REE0393) 2
- Surround speaker cords
(E), (EB) and (EG) areas : (RFA0624-K) 2
- Attachment plug
for (EB) area only (SJP9009) 1
- Power plug adaptor
for (GC) area only (SJP5213-2) 1

■ Caution for AC Main Lead



[(EB) area code model only]

For your safety, please read the following text carefully.

This appliance is supplied with a moulded three pin mains plug for your safety and convenience.

A 5-ampere fuse is fitted in this plug.

Should the fuse need to be replaced please ensure that the replacement fuse has a rating of 5-ampere and that it is approved by ASTA or BSI to BS1362.

Check for the ASTA mark  or the BSI mark  on the body of the fuse.

If the plug contains a removable fuse cover you must ensure that it is refitted when the fuse is replaced.

If you lose the fuse cover the plug must not be used until a replacement cover is obtained.

A replacement fuse cover can be purchased from your local dealer.

CAUTION!

IF THE FITTED MOULDED PLUG IS UNSUITABLE FOR THE SOCKET OUTLET IN YOUR HOME THEN THE FUSE SHOULD BE REMOVED AND THE PLUG CUT OFF AND DISPOSED OF SAFELY.

THERE IS A DANGER OF SEVERE ELECTRICAL SHOCK IF THE CUT OFF PLUG IS INSERTED INTO ANY 13-AMPERE SOCKET.

If a new plug is to be fitted please observe the wiring code as shown below.

If in any doubt please consult a qualified electrician.

IMPORTANT

The wires in this mains lead are coloured in accordance with the following code:

Blue: Neutral

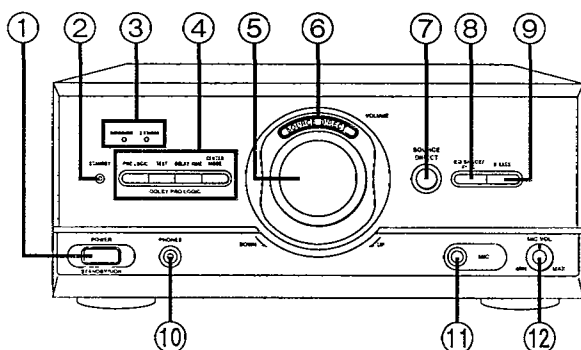
Brown: Live

As the colours of the wires in the mains lead of this appliance may not correspond with the coloured markings identifying the terminals in your plug, proceed as follows:

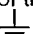
The wire which is coloured BLUE must be connected to the terminal in the plug which is marked with the letter N or coloured BLACK.

This apparatus was produced to BS 800.

■ Location of Controls

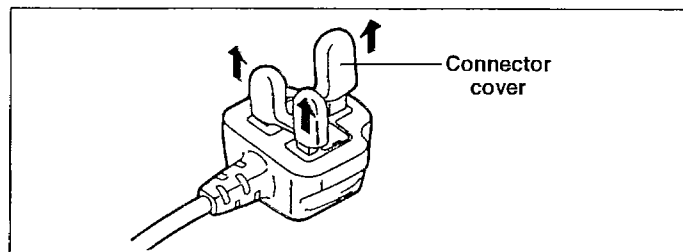


The wire which is coloured BROWN must be connected to the terminal in the plug which is marked with the letter L or coloured RED.

Under no circumstances should either of these wires be connected to the earth terminal of the three pin plug, marked with the letter E or the Earth Symbol .

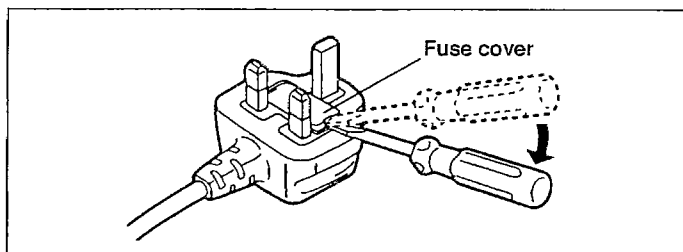
Before use

Remove the connector cover as follows.

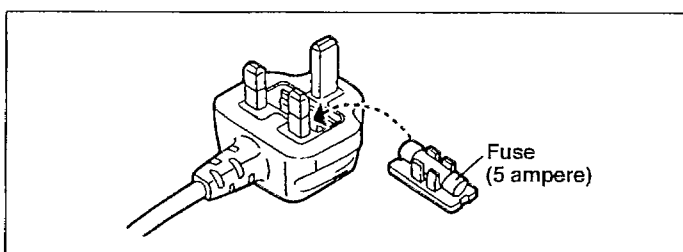


How to replace the fuse

1. Remove the fuse cover with a screwdriver.



2. Replace the fuse and attach the fuse cover.



① Power "STANDBY /ON" switch (POWER, STANDBY)

Press to switch the unit from on to standby mode or vice versa. In standby mode, the unit is still consuming a small amount of power.

② Standby indicator (STANDBY)

When the unit is connected to the AC mains supply, this indicator lights up in standby mode and goes out when the unit is turned on.

③ Dolby Pro-Logic Surround indicators (SURROUND, 3 STEREO)

④ Dolby Pro-Logic Surround buttons (PRO LOGIC, TEST, DELAY TIME, CENTER MODE)

⑤ Volume control (VOLUME)

⑥ Source direct indicator (SOURCE DIRECT)

⑦ Source direct button (SOURCE DIRECT)

⑧ EQ SPACE/flat button (EQ SPACE/FLAT)

⑨ V. bass button (V. BASS)

⑩ Headphones jack (PHONES) (ϕ 3.5, 32 Ω)

⑪ Microphone jack (MIC) (ϕ 6.3, 600 Ω)

⑫ Microphone volume control (MIC VOL)

Stacking the Components

- Install the various components as shown in the illustration.
- To produce a better stereo sound, install both speakers away from the system.

Horizontal stacking **A**

Vertical stacking **B**

System layout example **C**

System connections **D**

Connections

Connect the AC power supply cord after you have connected all other cables.

I Connect the flat cables.

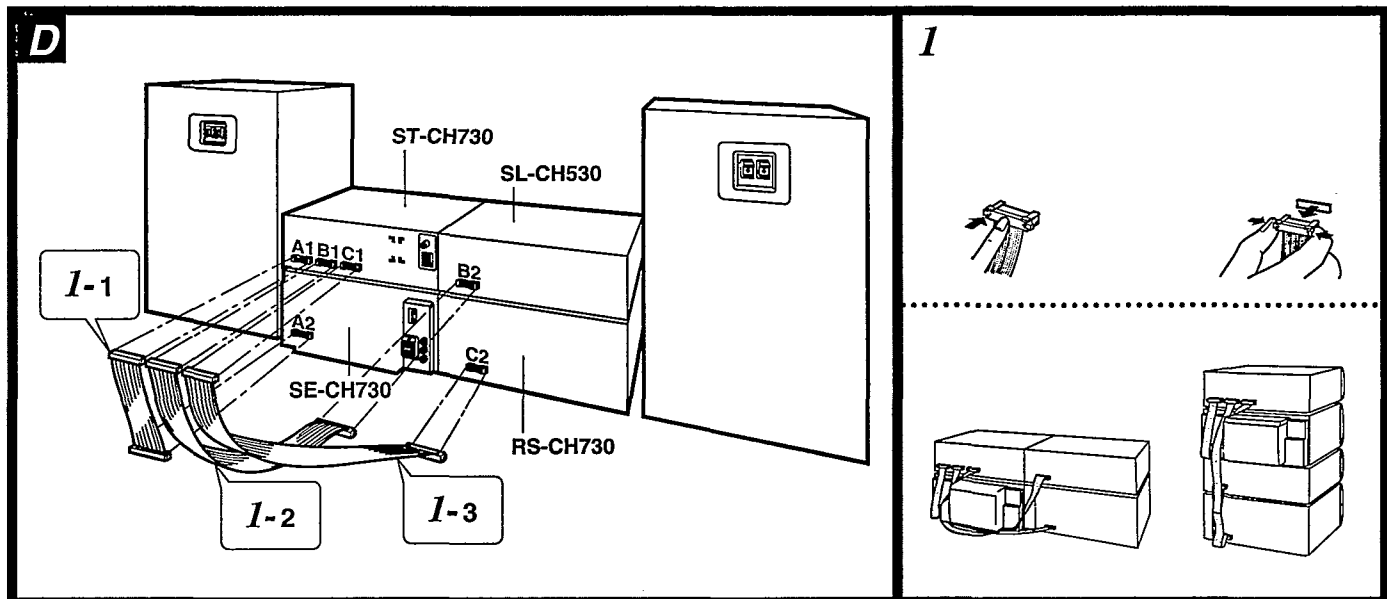
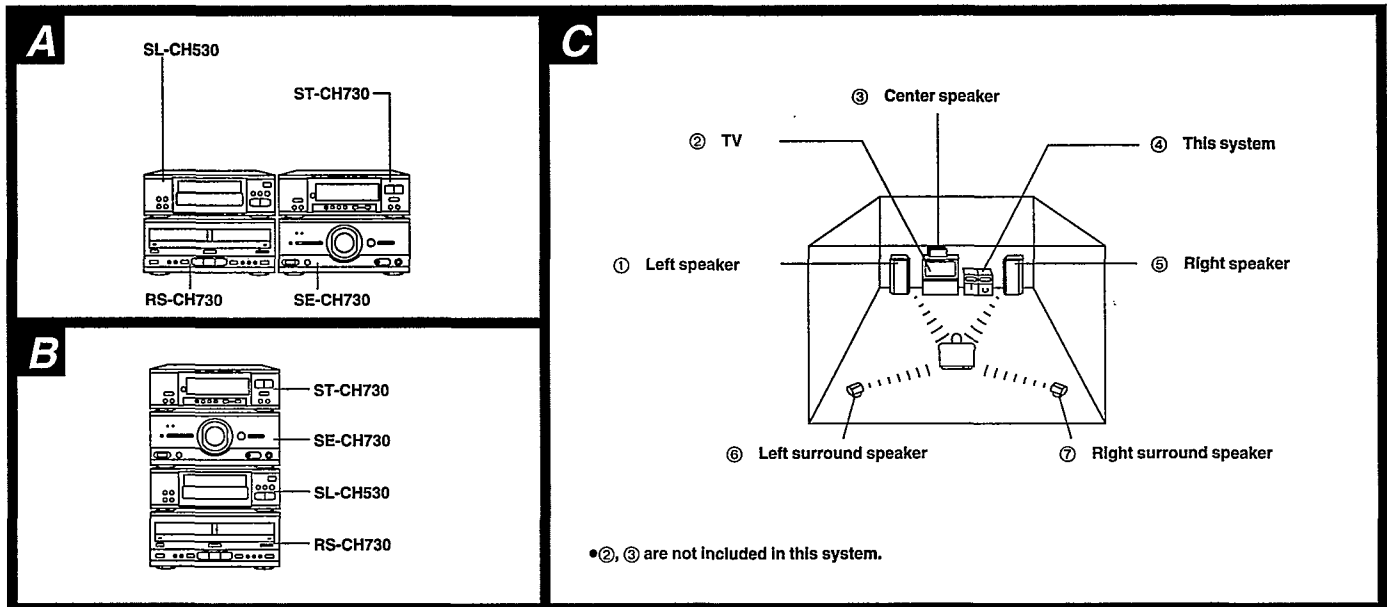
Hold the connector with the recessed part up and press in at the center until you hear a click.

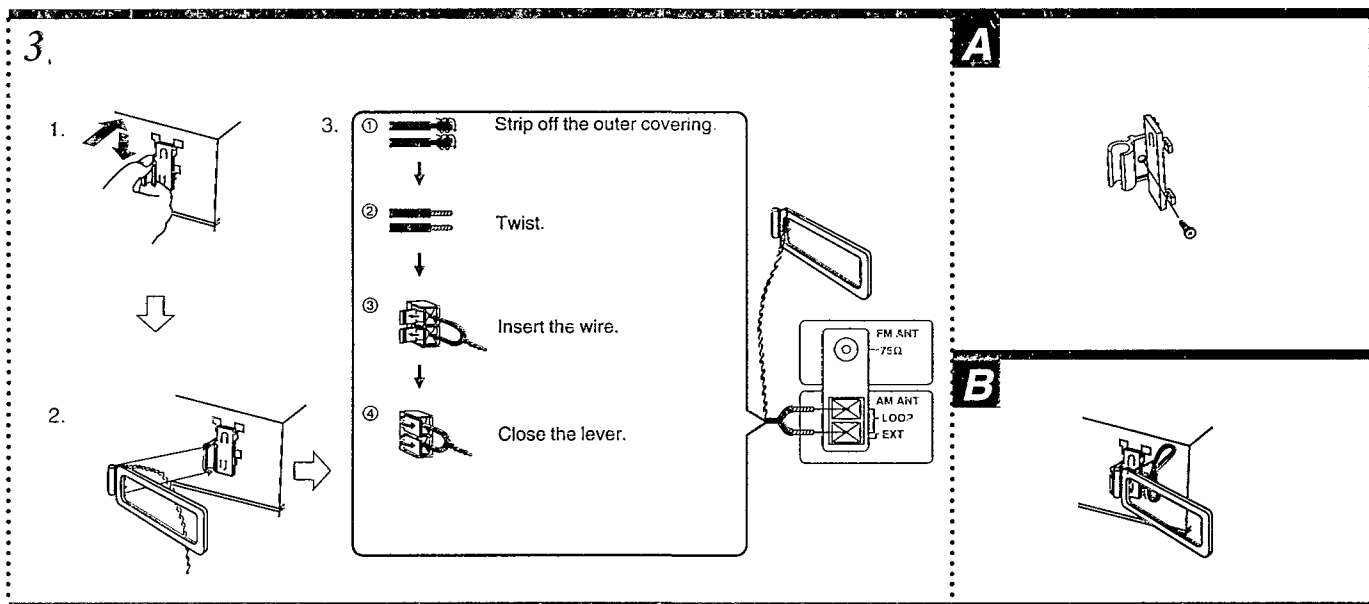
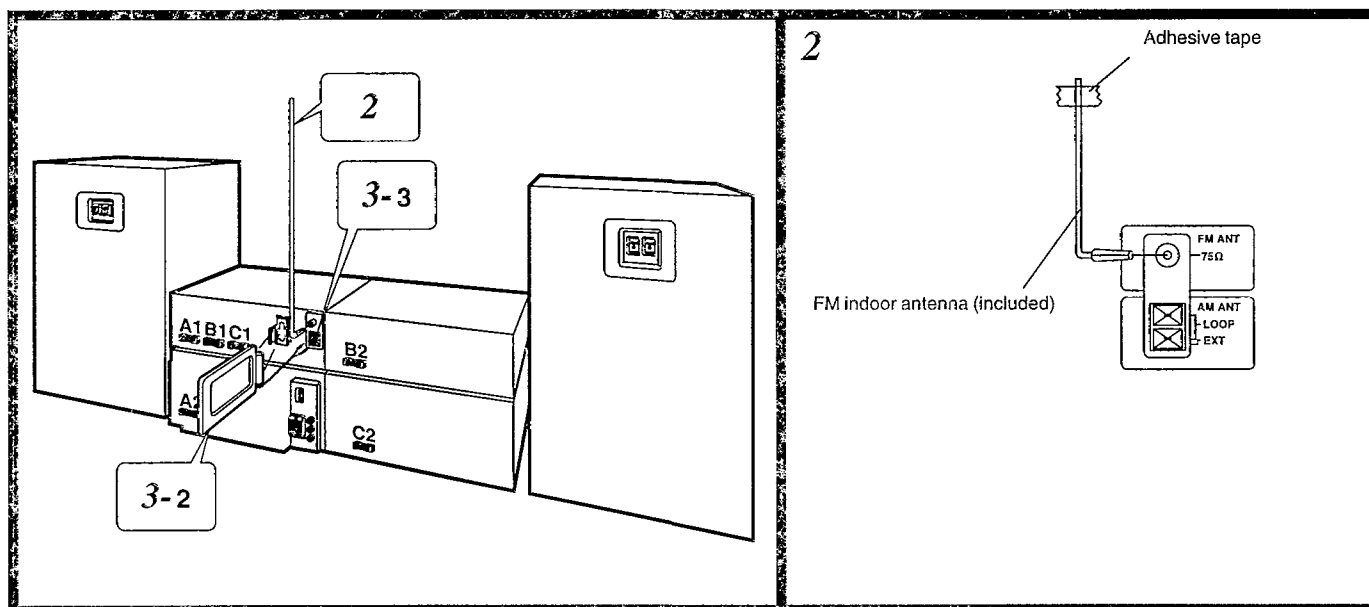
1. Connect the shorter flat cable to the terminal of the A1 and A2.
2. Connect the longer flat cable to the terminal of the B1 and B2.
3. Connect the longest flat cable to the terminal of the C1 and C2.

To disconnect the flat cable, hold the connector as shown in the illustration, and pull it out.

After connection, fold and press the cable as flat to the back of the unit as possible. (To minimize noise pickup while listening an AM broadcast)

Do not try connecting or disconnecting the flat cables while the power is switched to ON.





2 Connect the FM indoor antenna.

The tip of the internal antenna wire should not come into contact with any metal objects.

Note

When you cannot get a good reception of FM radio broadcast:

- Install the antenna on a wall at a height and in a direction which result in the best reception.
- When you cannot get a good reception with this FM indoor antenna, we recommend you install an FM outdoor antenna (not included).

3 Connect the AM (MW/LW) loop antenna.

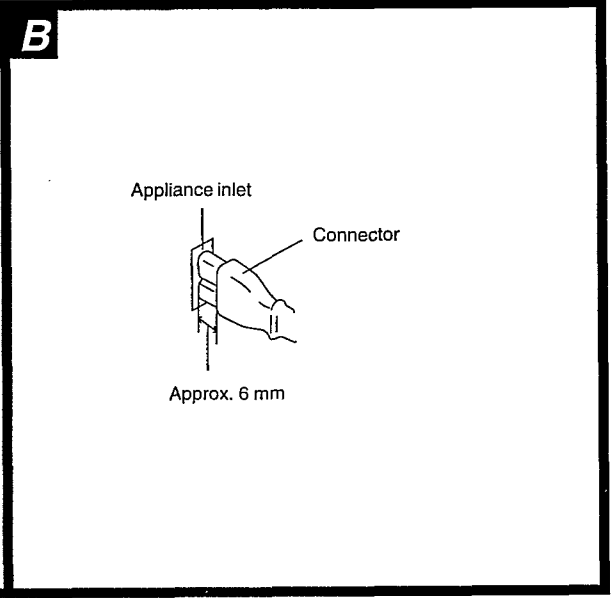
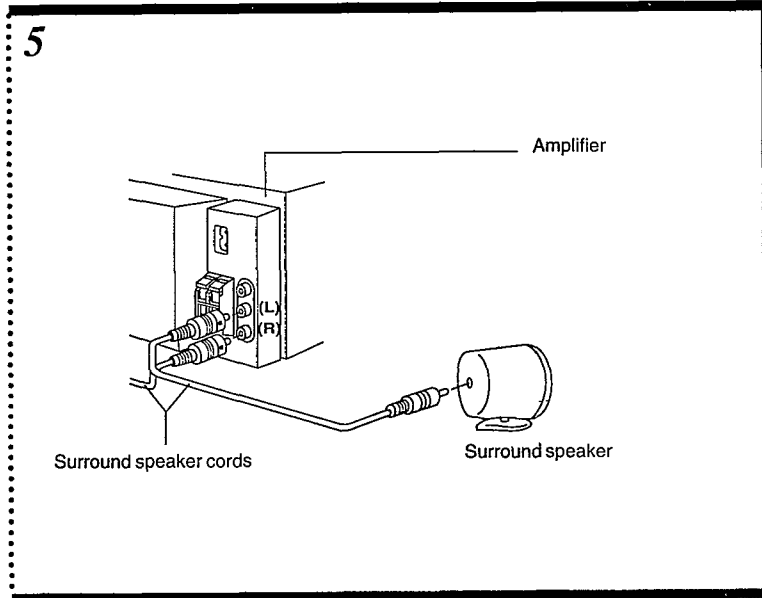
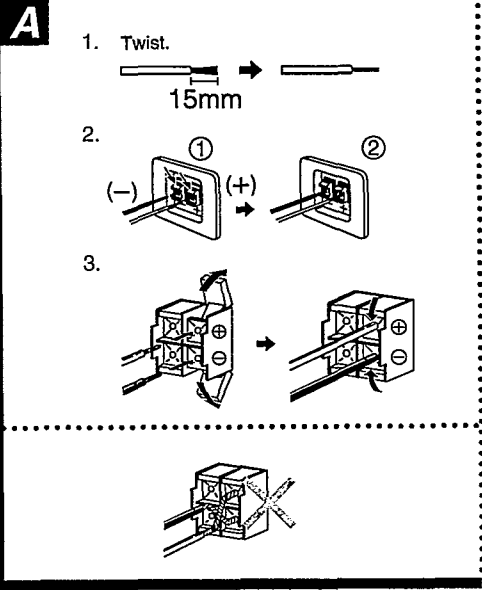
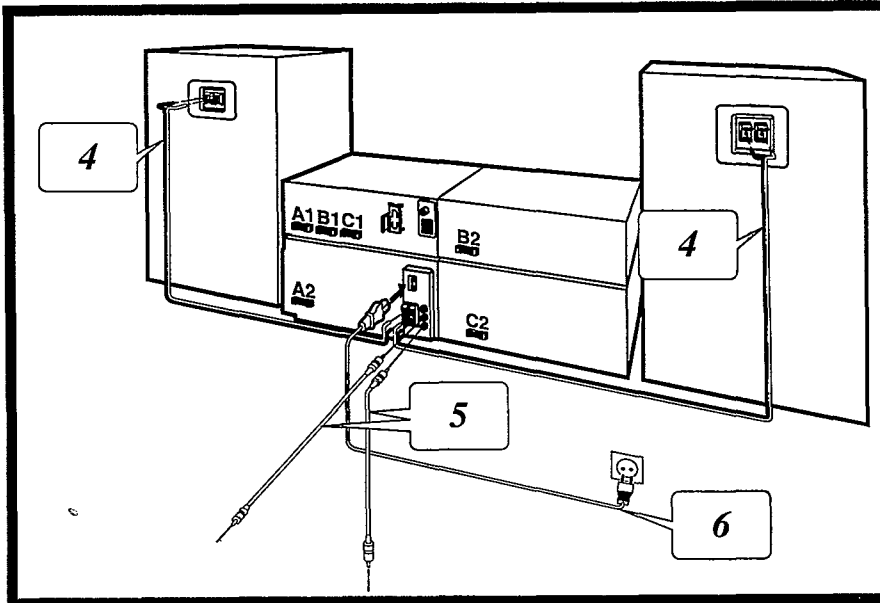
1. Attach the antenna holder to the rear panel of the tuner/sound processor. Press the antenna holder hard enough to get it fixed firmly in the place, with a click.
2. Clamp the antenna with its cord come upward to the antenna holder.
3. Connect the antenna terminal to the rear panel of the tuner/sound processor.

While listening to an MW/LW broadcast, position the loop antenna for the best reception.

You may attach the antenna holder to a rack or other structure. Use a screw (included) to attach as shown in the figure. **A**

Note

To minimize noise pickup, bundle the loop antenna cord using a tape or so to keep the flat cables away from the AM loop antenna cord. **B**



4 Connect the right (R) and left (L) speaker cables.

Notes

- Be sure to connect speaker cables before connecting the AC power supply cord.
- The load impedance of any speaker used with this unit must be 6–8Ω.

Connection of speaker cables **A**

1. Strip off the outer covering, and twist the center conductor.
 Make sure the bare ends of the wires are not unraveled. (If they are, twist them tight again.)
2. ① Tilt the lever back and insert the wire.
 ② Close the lever and pull the cord gently to be sure that it is secured.
3. Insert the wire to the rear panel of the amplifier, and close the lever.

Notes

- To prevent damage to circuitry, never short-circuit positive (+) and negative (–) speaker wires.
- Be sure to connect only positive (red) wires to positive (+) terminals and negative (black) wires to negative (–) terminals.

Caution

Use this speaker only with the recommended system.

Failure to do so may lead to damage to the amplifier and/or the speaker, and may result in the risk of fire. Consult a qualified service person if damage has occurred or if you experience a sudden change in performance.

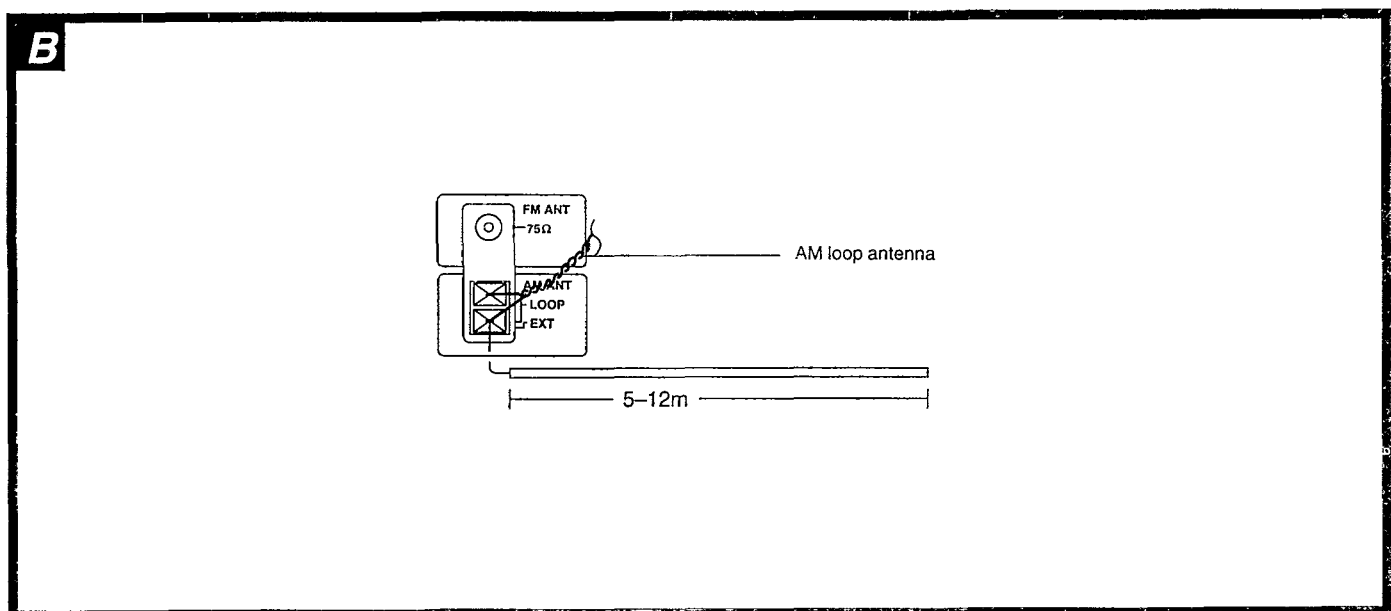
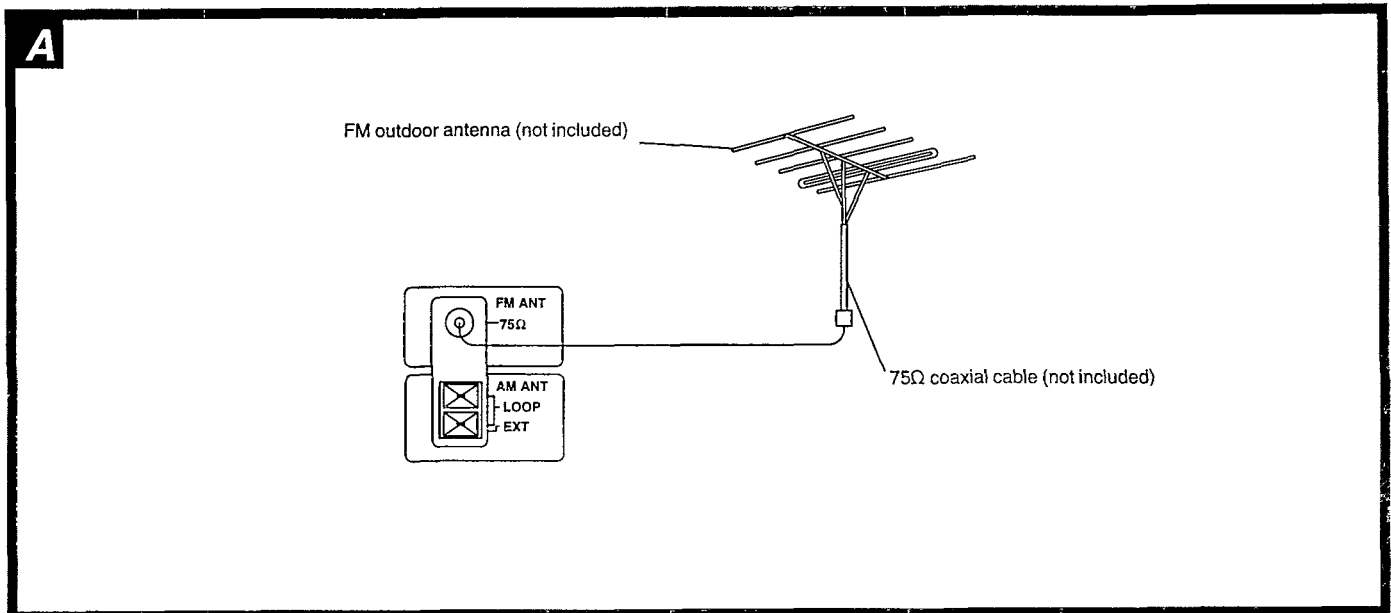
5 Connect the surround speaker cords.

6 Connect the AC power supply cord after you have connected all other cables and cords.

Insertion of Connector **B**

Even when the connector is perfectly inserted, depending on the type of inlet used, the front part of the connector may jut out as shown in the drawing. However there is no problem using the unit.

Optional Antenna Connections



FM outdoor antenna (not included) **A**

You may need an outdoor antenna if you use this system in a mountainous region or inside a reinforced-concrete building, etc. An outdoor antenna should be installed by a competent technician only.

AM (MW/LW) outdoor antenna (not included) **B**

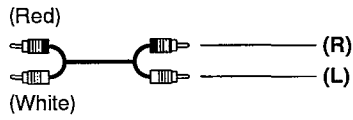
An outdoor antenna may be required in a mountainous region, or if this system is located inside a reinforced-concrete building, etc.

Connect the outdoor antenna without removing the AM loop antenna.

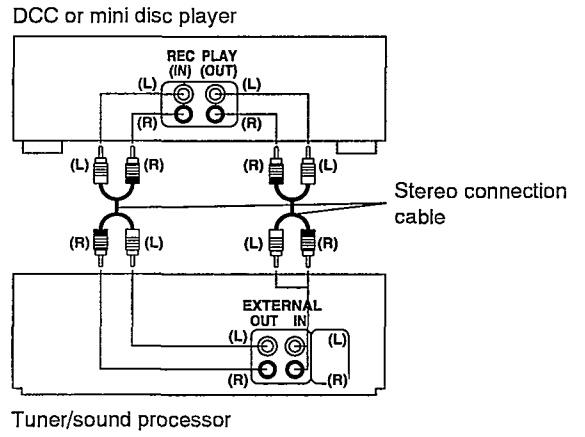
Run 5 to 12 m of vinyl-covered wire horizontally along a window or other convenient location.

External Unit Connection

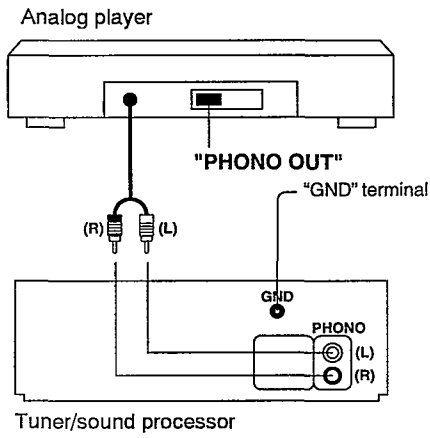
A



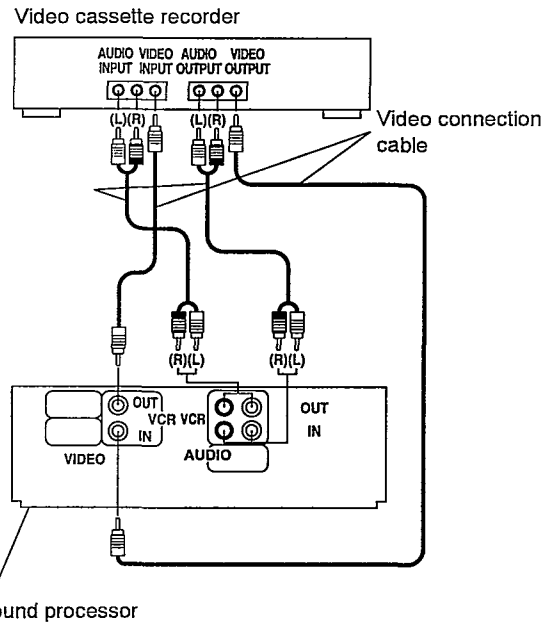
B



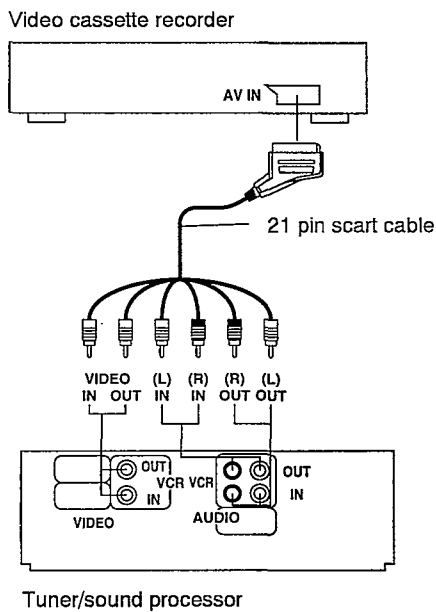
C



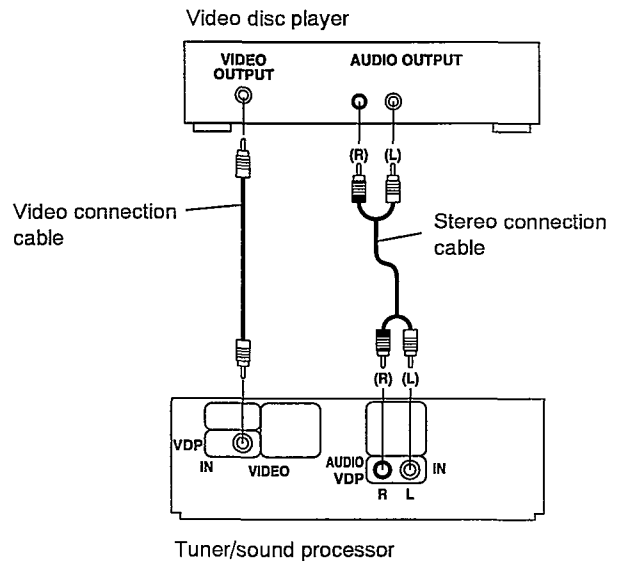
D



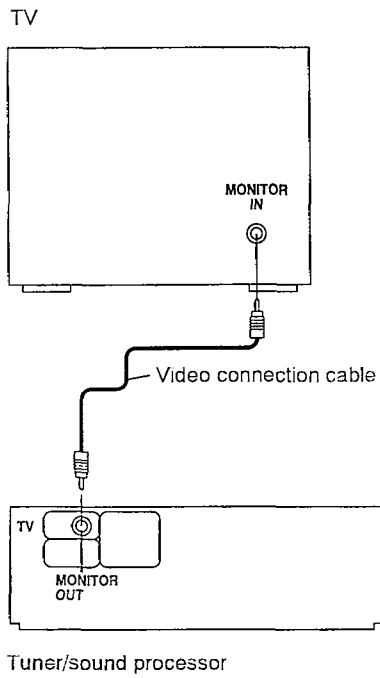
E



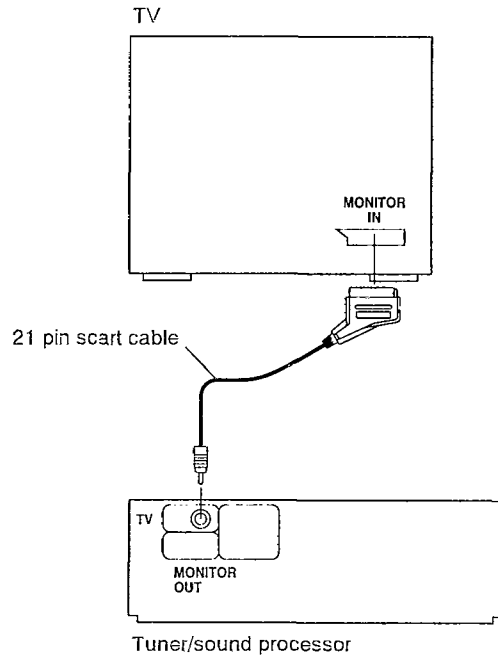
F



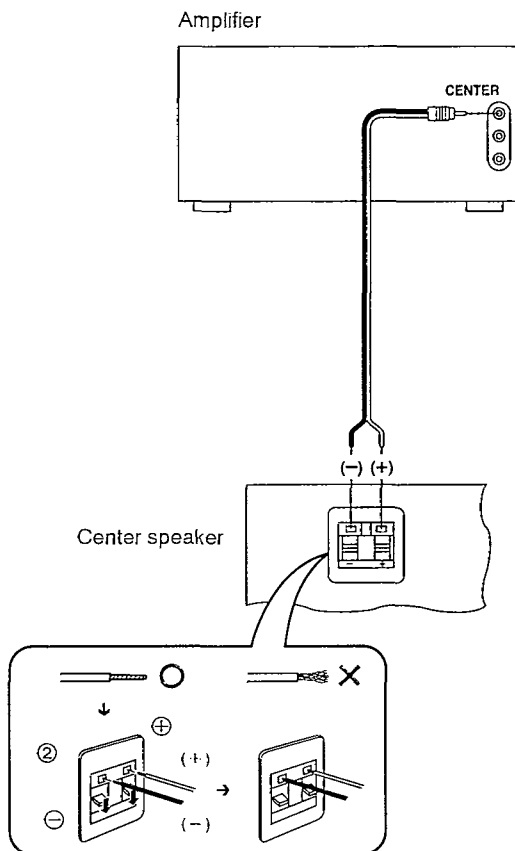
G



H



I



External unit connection

- For details, refer to the operating instructions of the units which are to be connected.
- When units other than those described below are to be connected, please consult with your audio dealer.
- These connection cables and audio products described in the illustration (except for tuner/sound processor and amplifier) are all sold separately.

Connecting the stereo connection cable (not included) **A**

Connect the red plug to the right (R) connector.
Connect the white plug to the left (L) connector.

DCC (digital compact cassette deck) or mini disc player **B**

Analog player **C**

This example shows how to connect the analog player with the PHONO OUT/LINE OUT switch.

"GND" terminal is for a ground wire use.
Set to the PHONO OUT position at the back of the analog player.

Video cassette recorder **D**

- Using 21 pin scart cable **E**

Video disc player **F**

Television set **G**

- Using 21 pin scart cable **H**

Center speaker **I**

■ Using the Dolby Pro-Logic Surround

By combining front, center and surround speakers, you can enjoy the SURROUND mode which conveys a feeling of presence or the 3 STEREO mode which conveys a feeling of orientation.

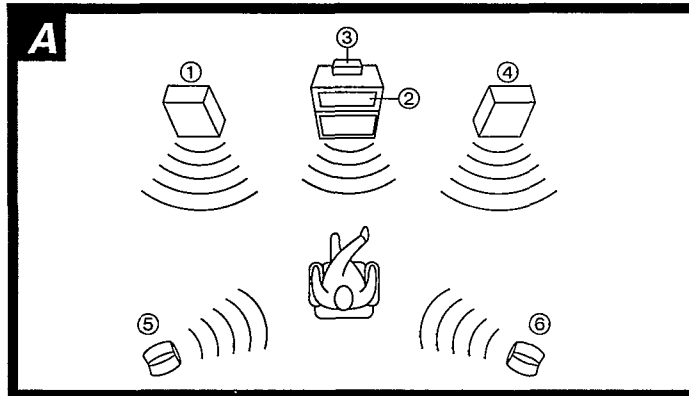
SURROUND

By reproducing the feeling of depth and movement of sound, video software or compact discs recorded with Dolby Surround provide the listener with a feeling of presence like that of a movie theater.

Installation example: A

- ① Front speaker (L)
- ② TV
- ③ Center speaker
- ④ Front speaker (R)
- ⑤ Surround speaker (L)
- ⑥ Surround speaker (R)

To enjoy SURROUND, be sure to connect the surround speakers.



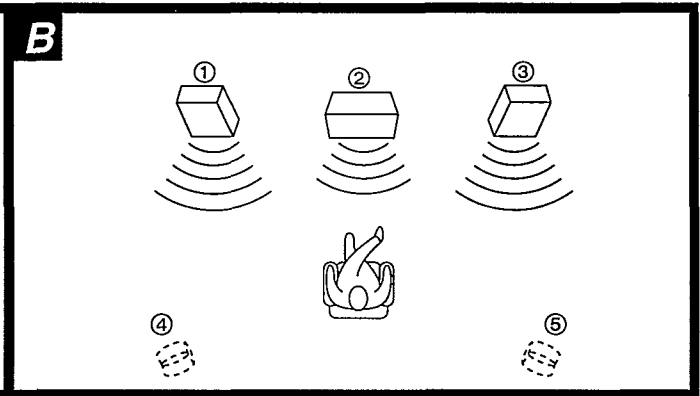
3 STEREO

You can enjoy audio/video sources with clear sound, more presence and a good feeling of orientation. 3 STEREO can be used with sources not recorded in DOLBY SURROUND.

Installation example: B

- ① Front speaker (L)
- ② Center speaker
- ③ Front speaker (R)
- ④ Surround speaker (L)
- ⑤ Surround speaker (R)

To enjoy 3 STEREO, be sure to connect the center speaker.



Setting the center mode G

For Dolby Pro Logic systems, center mode setting is necessary to play back bass sounds effectively.

Set the center mode in accordance with the size of your center speaker.

1 Press PRO LOGIC to turn on the Dolby Pro Logic systems and select the desired mode.

Each time you press the button, the display will change as follows:

SURROUND → 3 STEREO → OFF

2 Press CENTER MODE to select the correct center mode.

Each time you press the button, the display will change as follows:

NORMAL → WIDE → PHANTOM

Note

"PHANTOM" will not be displayed when you select "3 STEREO" in step 1.

NORMAL:

When the center speaker is smaller than the front speakers

WIDE:

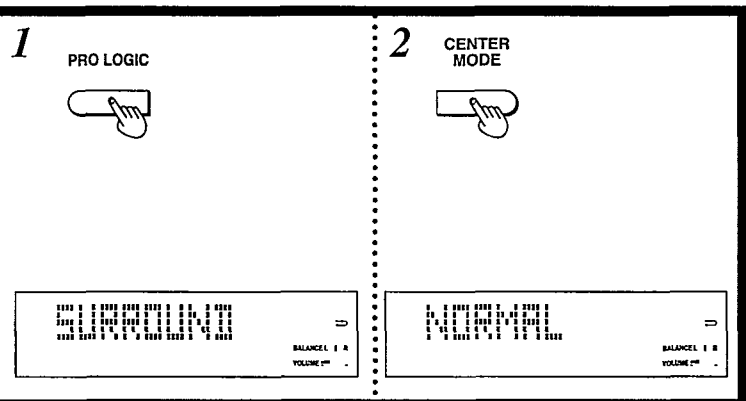
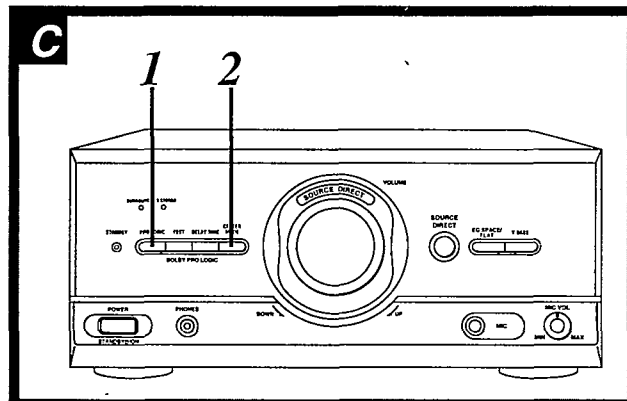
When the center speaker is the same or larger size as the front speakers

PHANTOM:

When no center speaker is connected.

Note

In the PHANTOM mode, the sound which would have been sent to the center speaker will be divided equally between both the left and right front speakers.



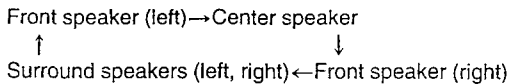
■ Adjusting Speaker Output Level **A**

In order to reproduce the movement of the sound and its clear orientation, it is important to adjust the output level of each speaker. Adjust output to the correct levels while listening to the test signal.

1 Press **PRO LOGIC** to turn on the Dolby Pro Logic systems and select the desired mode.

2 Press **TEST** to output a test signal.
The test signal is emitted in the following order:

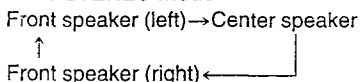
For SURROUND mode



Note

The test signal is not emitted from the center speaker when the center mode is on PHANTOM.

For 3 STEREO mode



3 Turn **VOLUME** to set the volume level normally used for enjoying the source.

4 Press **CENTER (-) or (+)** or **SURROUND (-) or (+)** on the remote control to adjust the output level balance.

Adjust the output level of each speaker from the listening position until they are all identical.

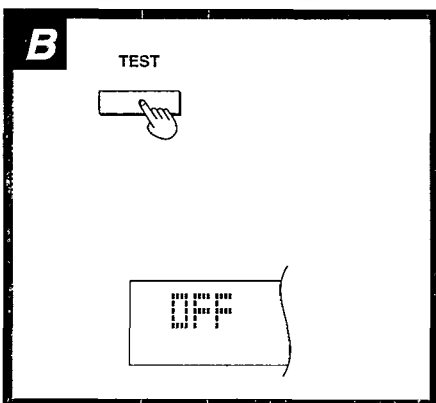
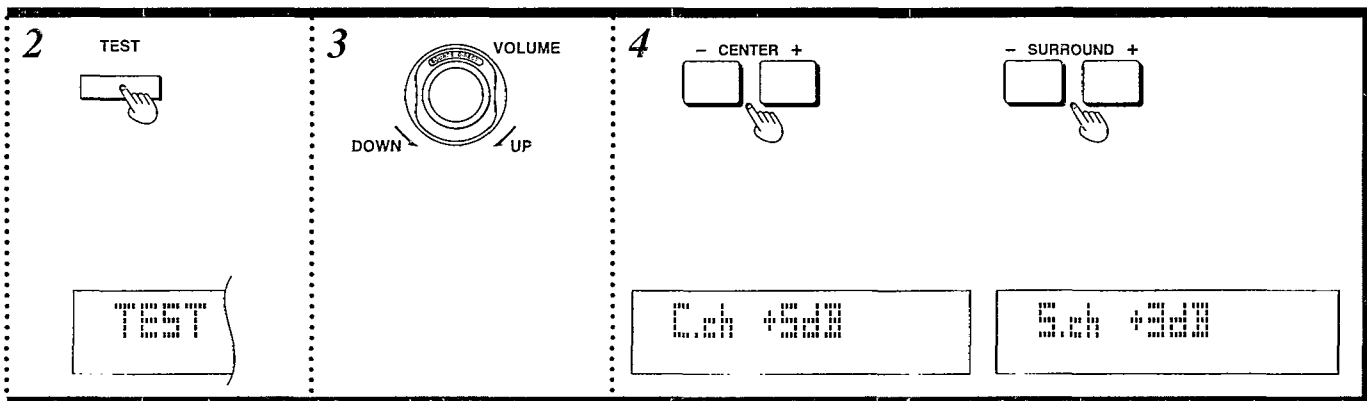
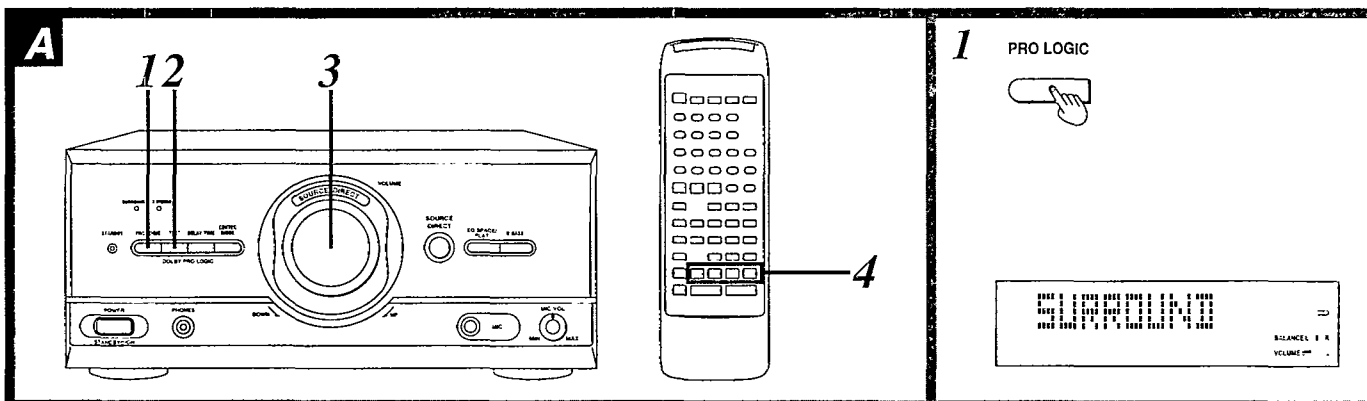
Output levels can be varied within a range of ±12 dB with front speaker output level serving as the zero point.

Notes

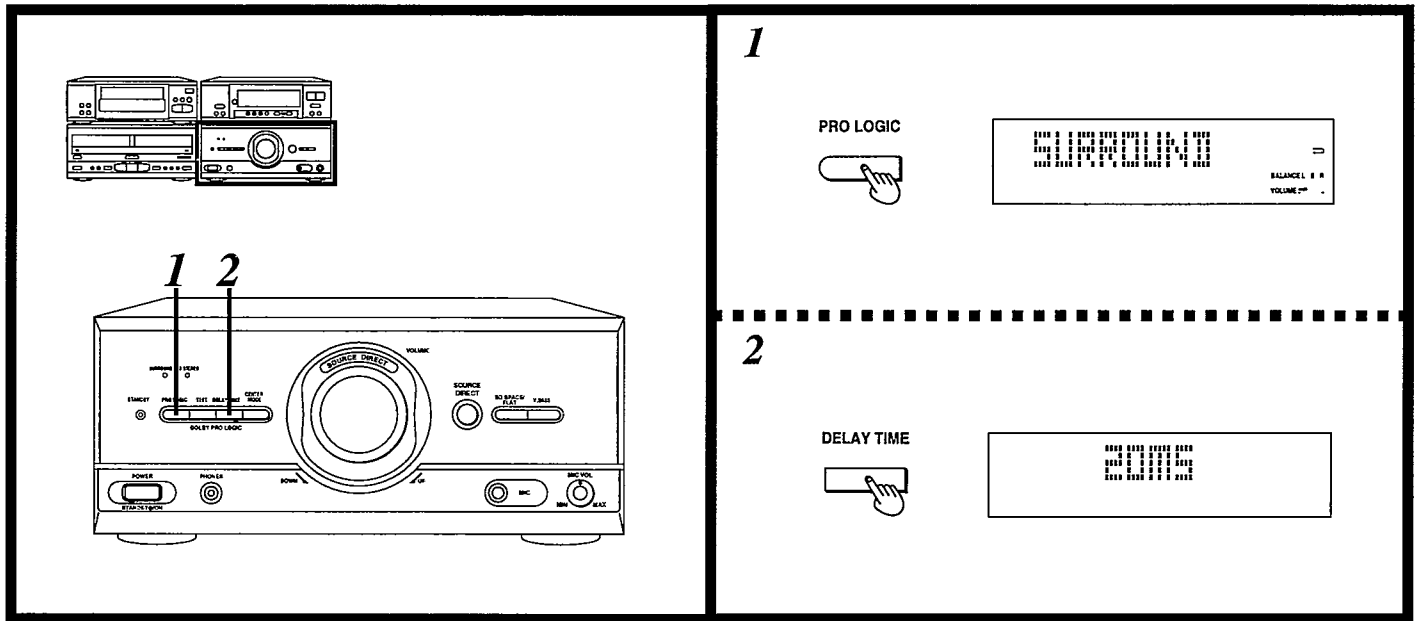
- The test signal is output only by the speaker you are now adjusting and does not repeat the sequence until adjustments are complete.
- Remember you cannot adjust output level of the surround speakers if you selected the 3 STEREO mode in step 2.

To stop the test signal: **B**

Press **TEST**



■ Adjusting the Delay Time



(When enjoying with SURROUND only)
Adjust the sound from the surround speakers until the proper effect is produced.

1 Press PRO LOGIC to turn on the Dolby Pro Logic systems and select the SURROUND mode.

2 Press DELAY TIME to set to the suitable time.
When the button is pressed, the current delay time is displayed, pressing it again changes the delay time.
Each time the button is pressed, the delay time will increase by 5 ms.

20 ms → 25 ms → 30 ms → 15 ms

To calculate the delay time, refer to the calculation methods.

The standard setting is 20 ms.

D1: Distance from front speakers

D2: Distance from surround speakers

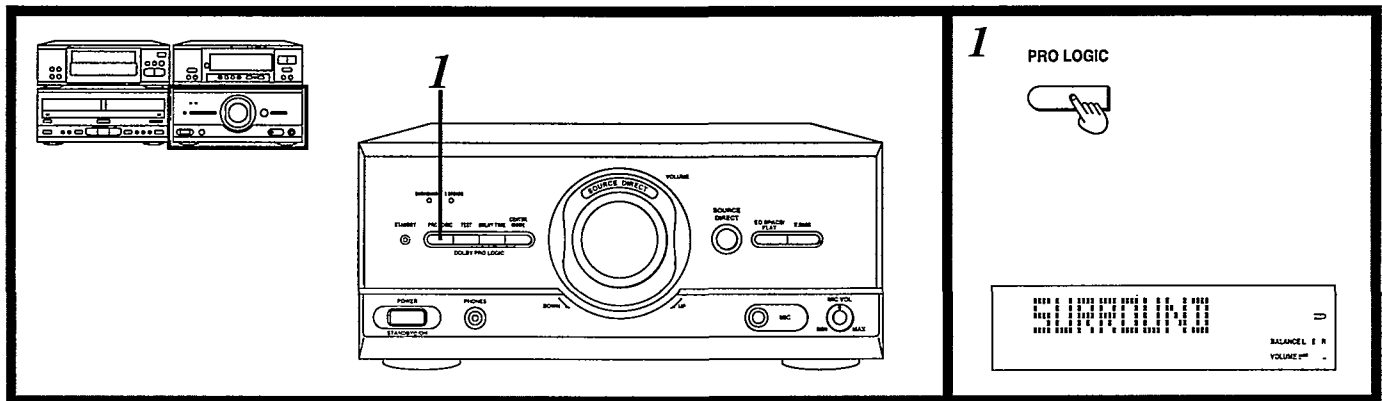
If D1 is equal to or less than D2

Set to 15 ms.

If D2 is less than D1

Start at 15 ms and increase by 5 ms for every 1.5 m of difference between D1 and D2.

■ Enjoying with SURROUND or 3 STEREO



Make sure that you have set the center mode and adjusted speaker output level.

1 Press PRO LOGIC to turn on the Dolby Pro Logic systems and select the desired mode.

2 Select the desired source.

3 Start the desired source.

Note

When employing SURROUND, use software recorded in Dolby Surround.

To turn off the Dolby Pro Logic systems:
Press PRO LOGIC to select "OFF".

Manufactured under license from Dolby Laboratories Licensing Corporation.
"Dolby" and the double-D symbol are trademarks of Dolby Laboratories Licensing Corporation.

■ Operation Check and Main Component Replacement Procedures

NOTE

1. This section describes procedures for checking the operation of the major printed circuit boards and replacing the main components.
2. For reassembly after operation checks or replacement, reverse the respective procedures. Special reassembly procedures are described only when required.
3. Select items from the following index when checks or replacement are required.
4. Illustrated screws are equivalent to actual size.
5. Refer the parts No. on the page of "Main Component Replacement Procedures", if necessary.

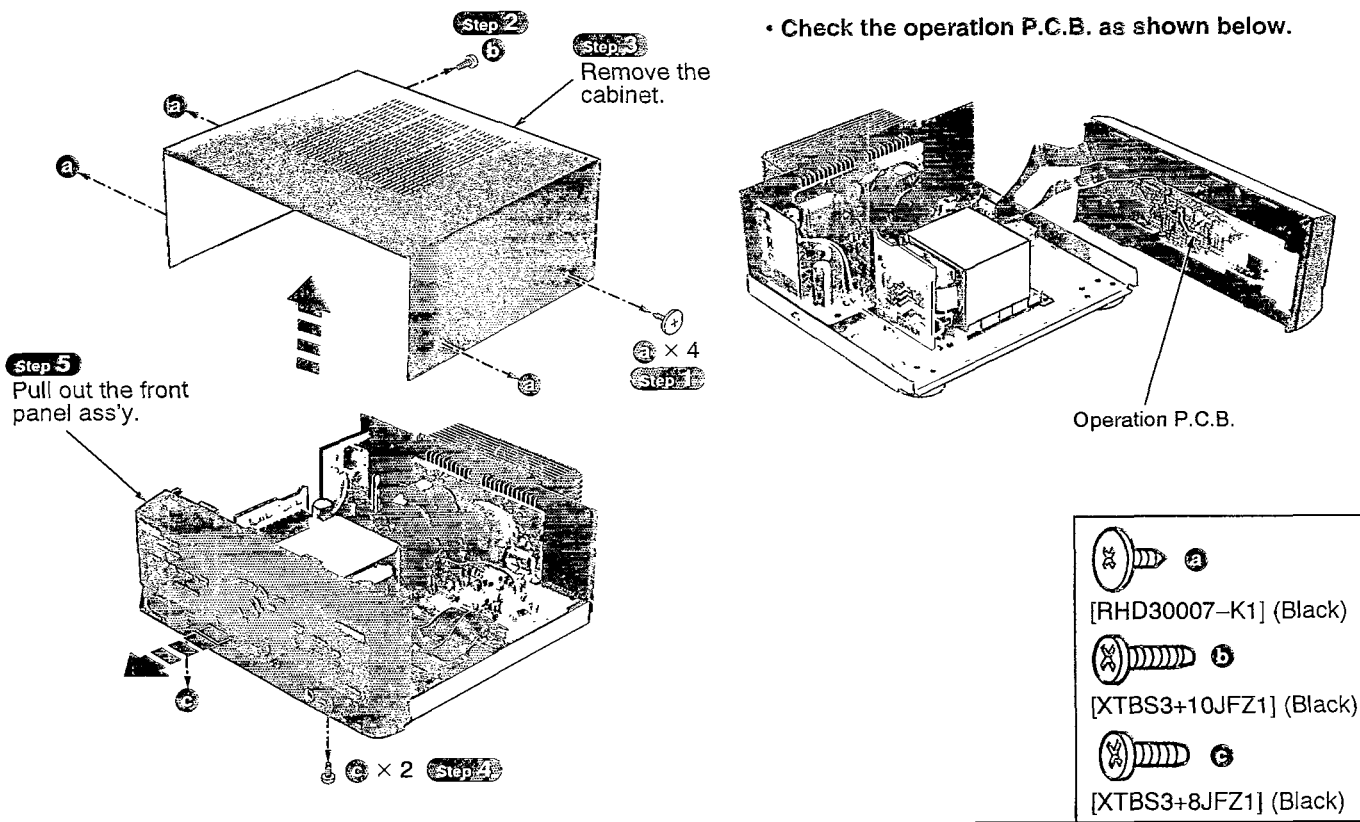
● Contents

• Checking Procedures for each P.C.B.	Page.
1. Checking for the operation P.C.B.	13.
2. Checking for the main P.C.B.	14.
• Main Component Replacement Procedures	
1. Replacement for the power IC and regulator transistor.	15.

■ Checking Procedure for each P.C.B.

1. Checking for the operation P.C.B.

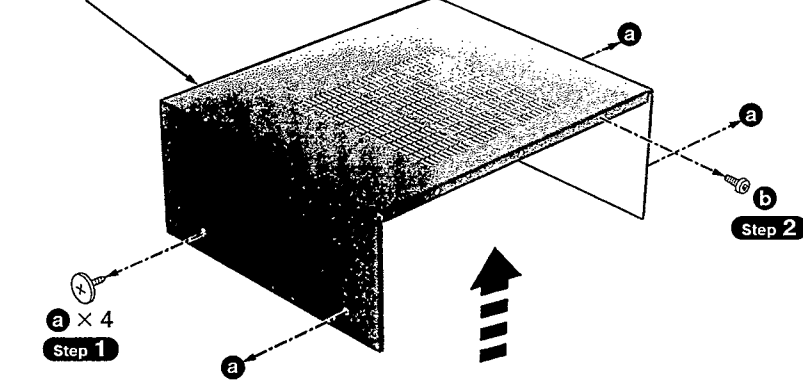
• Check the operation P.C.B. as shown below.



2. Checking for the main P.C.B.

Step 3
Remove the cabinet.

Remove the cabinet.



Step 1
a × 4

Step 2



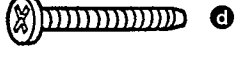
[RHD30007-K1] (Black)



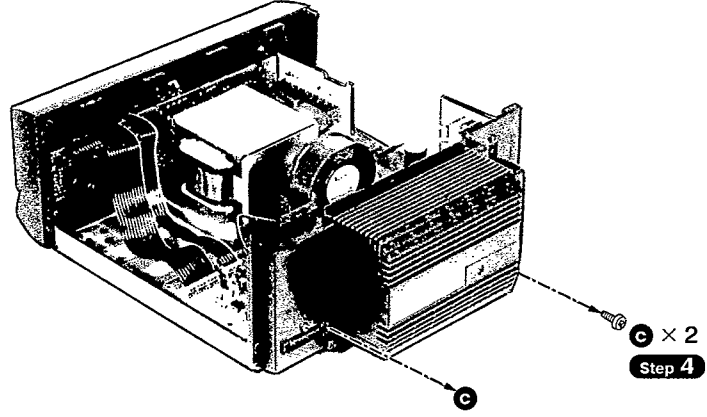
[XTBS3+10JFZ1] (Black)



[XTB3+10JFZ] (Black)



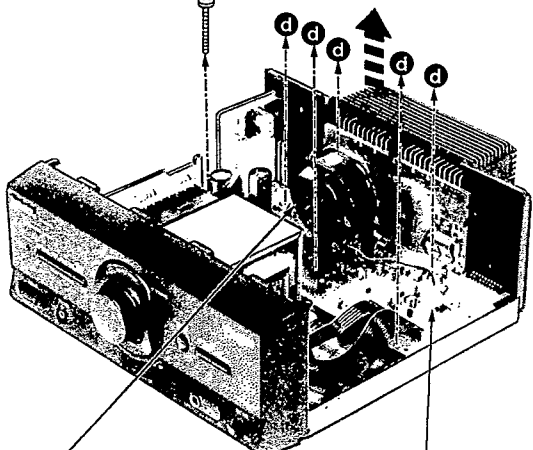
[XTB3+20JFZ] (Black)



Step 4
c × 2

• Check the main P.C.B. as shown below.

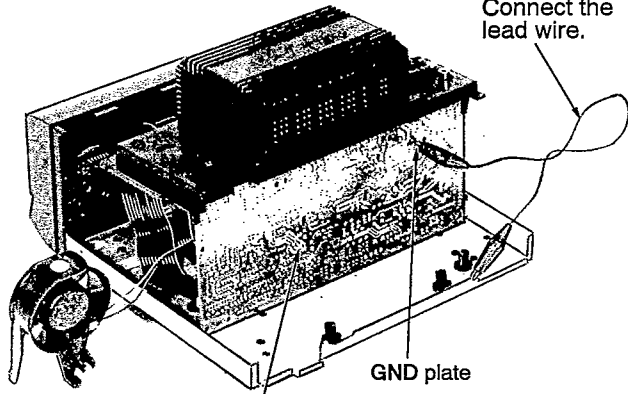
Step 5
d × 6



Step 6
Remove the fan unit.

Step 7
Raise the main P.C.B.

Step 8
Connect the lead wire.



Main P.C.B.

GND plate

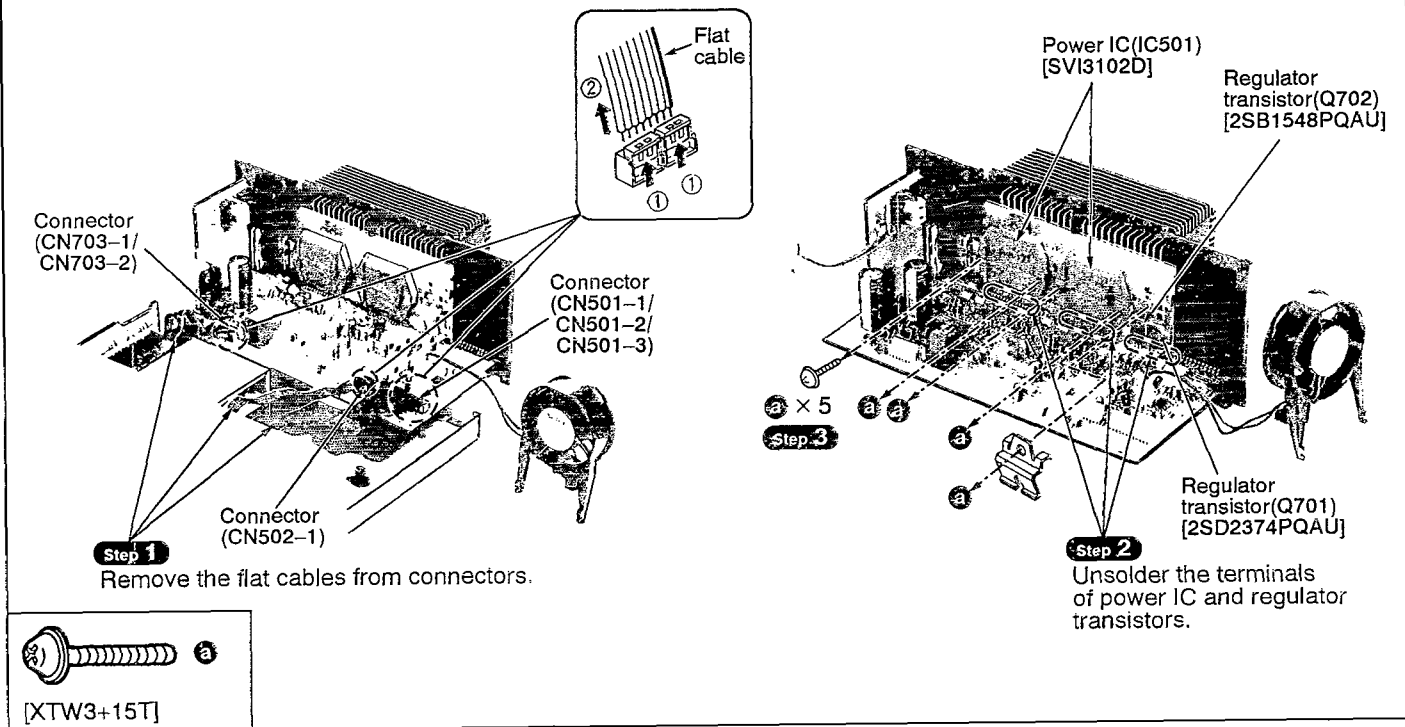
Main Component Replacement Procedures

1. Replacement for the power IC and regulator transistor

- Follow the item 2 (**Step 1** ~ **Step 7**) checking procedures for each P.C.B..

NOTE

When mounting the power IC or regulator transistor, apply silicone compound (RFKX0002) to the rear side of power IC or regulator transistors.



Power Source ON/OFF of This Unit

- Connect this unit to an AC outlet by the AC power cord. (This unit comes to stand-by mode.)
- Short the test point **TP701** in Fig. 1. This unit comes to power ON mode.

Operation Check

- Set this unit to power ON mode.
- Input a signal (1 kHz, 100mV), and confirm it to be outputted from the speaker terminal.

	INPUT	OUTPUT
Lch	J603 - J308	Lch speaker terminal
Rch	J604 - J308	Rch speaker terminal
Surround	J611 - J308	Surround speaker terminal (To output a signal, both Lch and Rch should be connected.)
Center	J612 - J308	Center speaker terminal

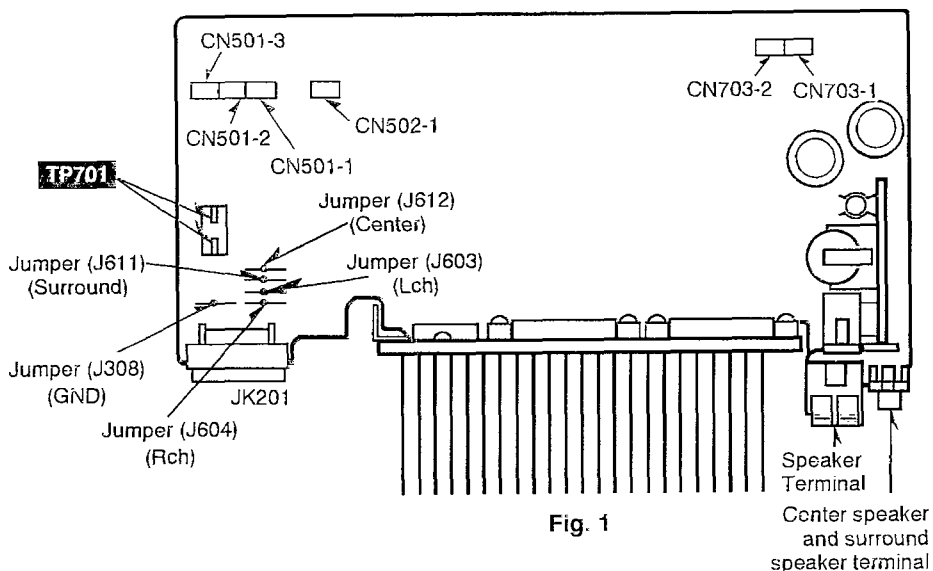
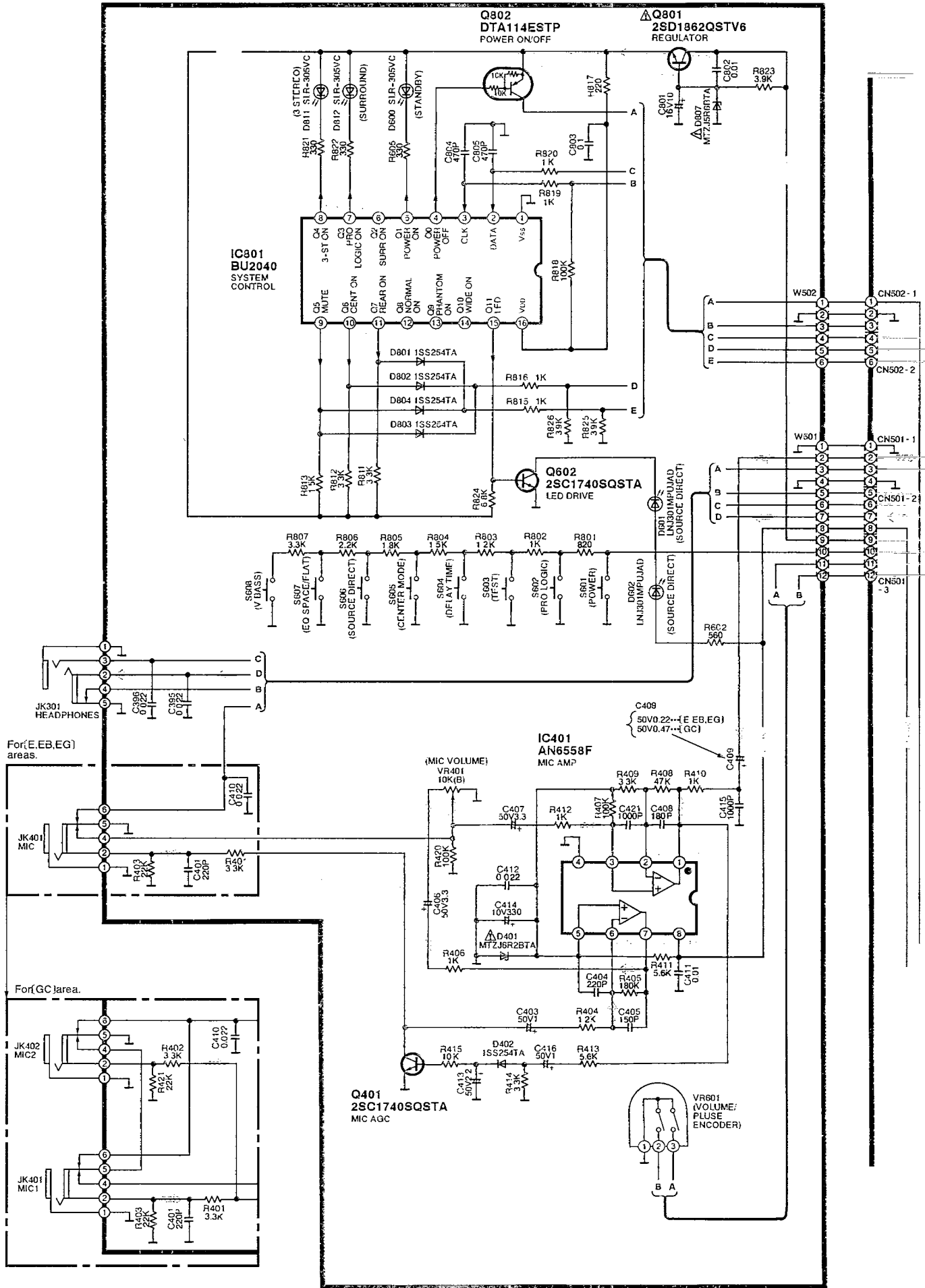
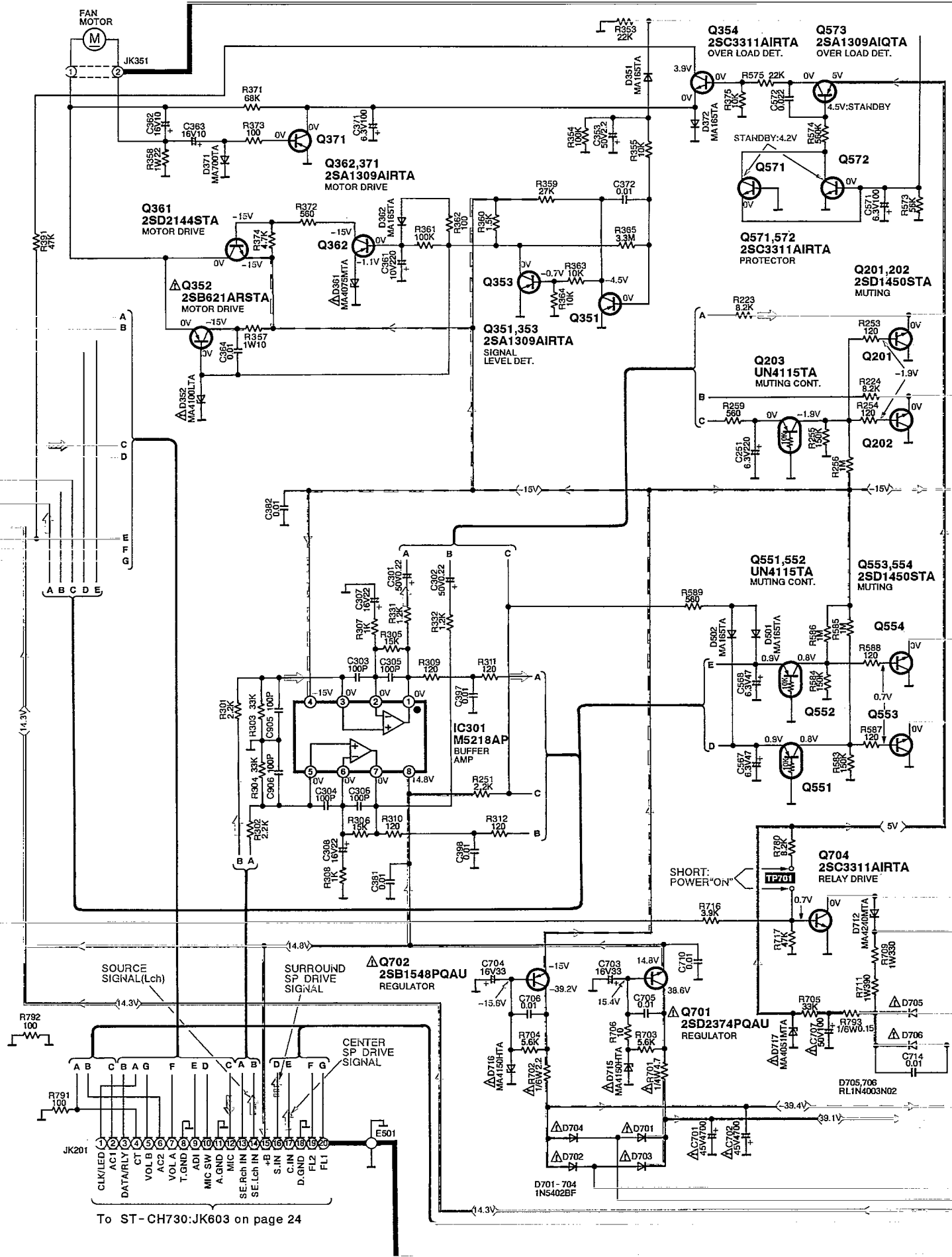


Fig. 1

A OPERATION CIRCUIT (P.C.Board on page 21)



B MAIN CIRCUIT (P.C.Board: on page 20)



To ST-CH730:JK603 on page 24

Surround speaker drive signal line

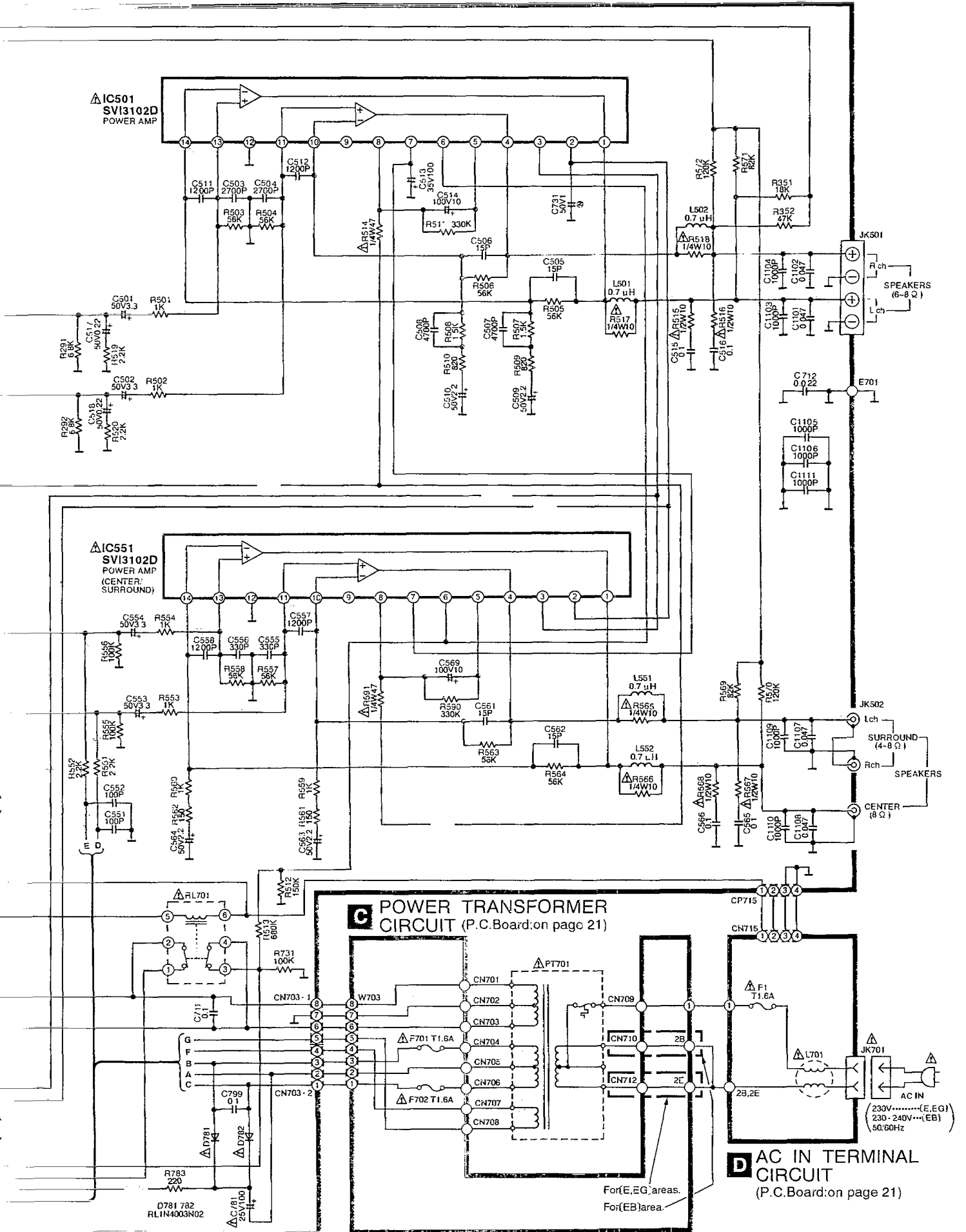
Center speaker drive signal line

Source signal Line (L-ch)

Mic signal line

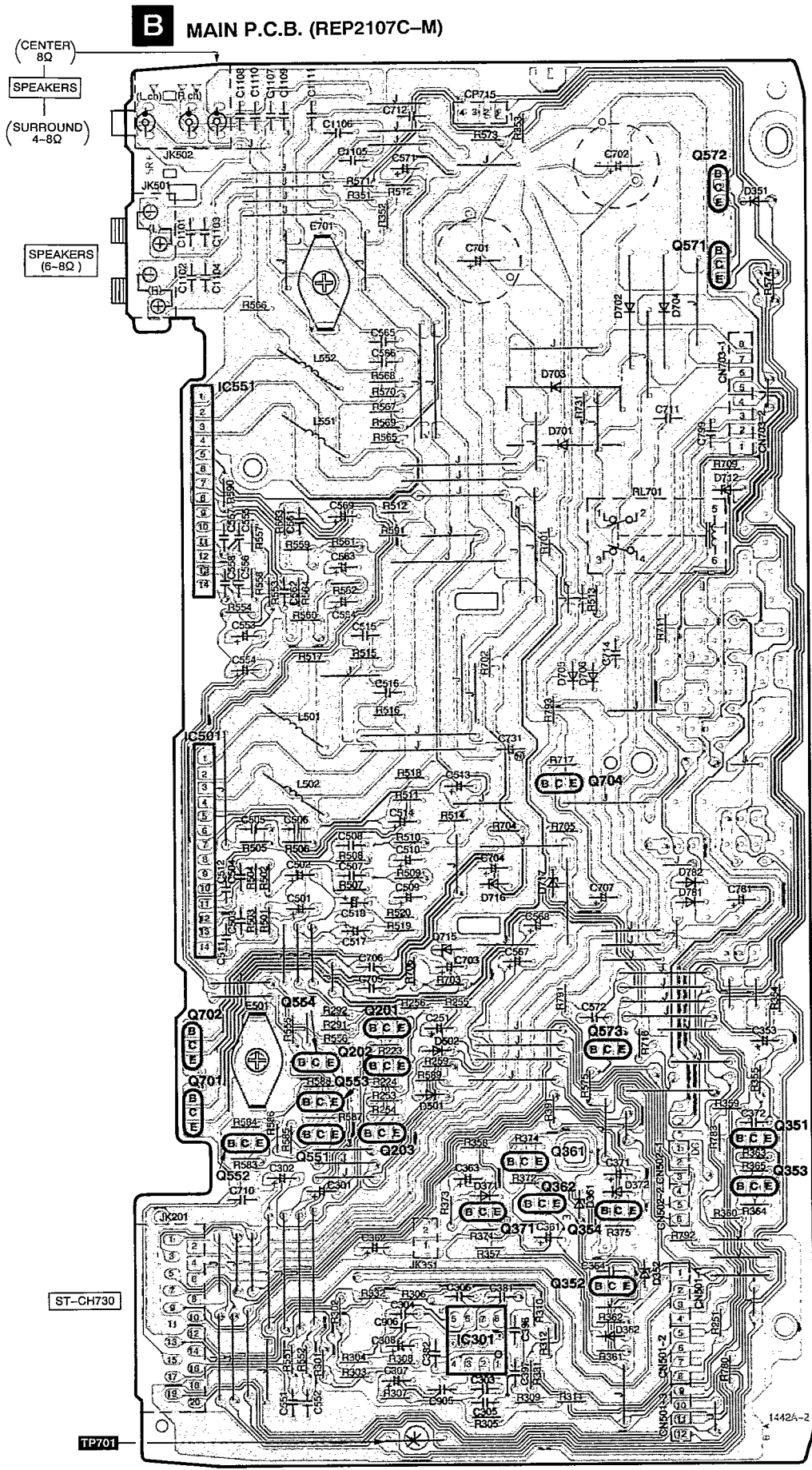
Positive voltage line

Negative voltage line

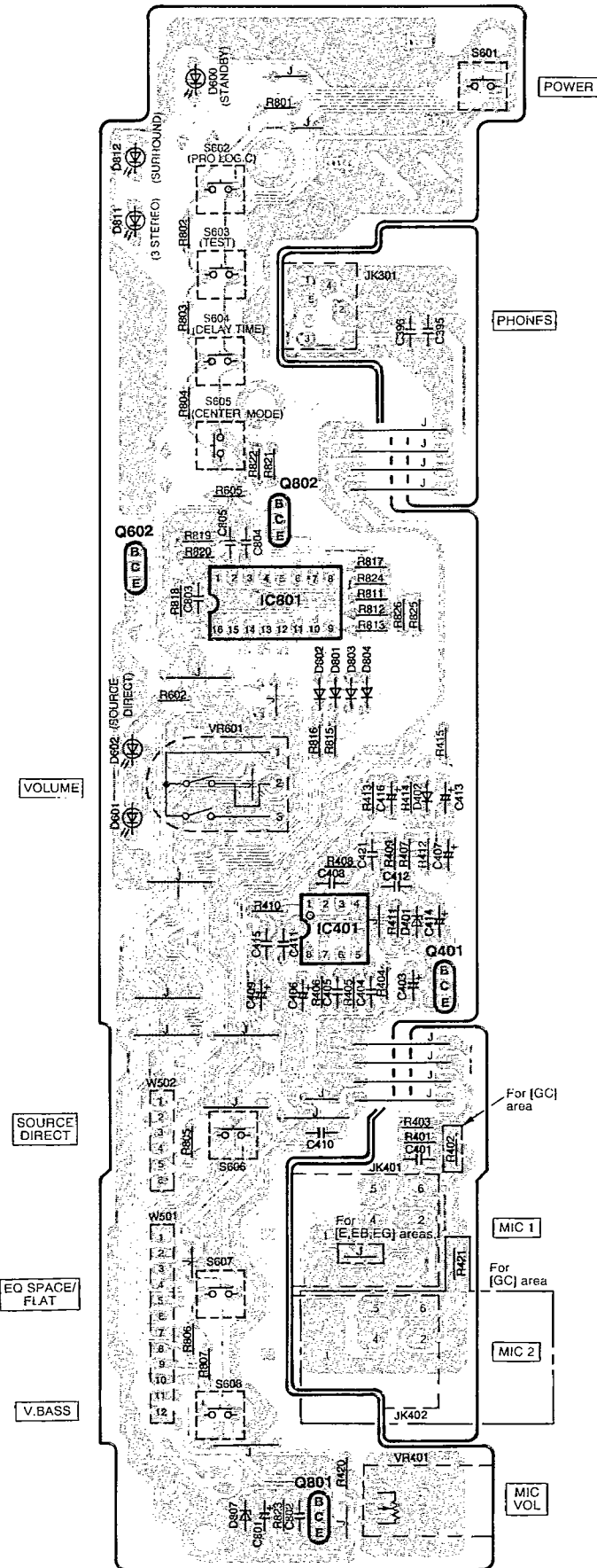


Printed Circuit Board Diagram

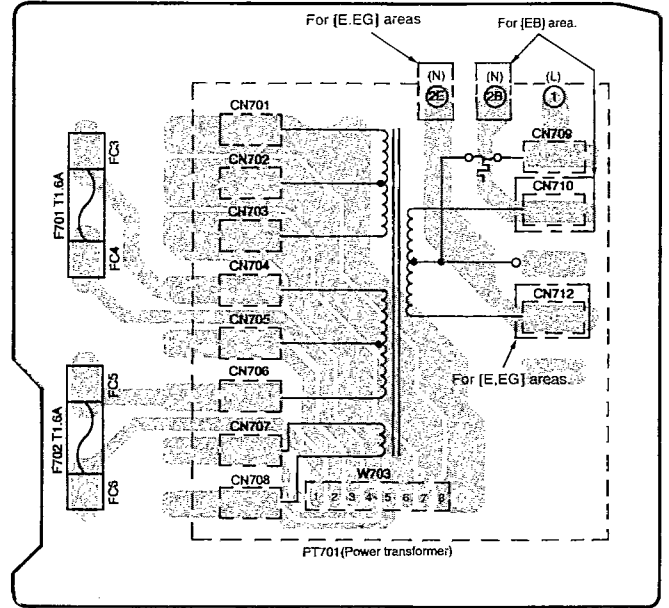
• This circuit board diagram may be modified at any time with the development of new technology.



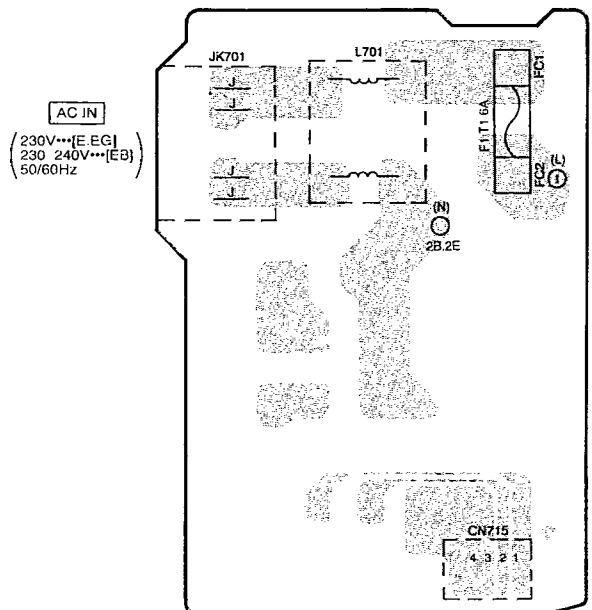
A OPERATION P.C.B. (REP2108C-S...[E,EB,EG]
REP2108D-S...[GC])



C POWER TRANSFORMER P.C.B.
(REP2109D-P...[E,EG]
REP2109E-P...[EB])

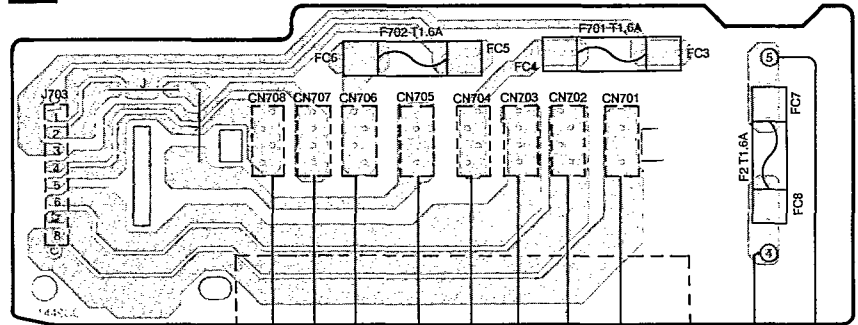


D AC IN TERMINAL P.C.B. (REP2109D-P...[E,EG]
REP2109E-P...[EB])

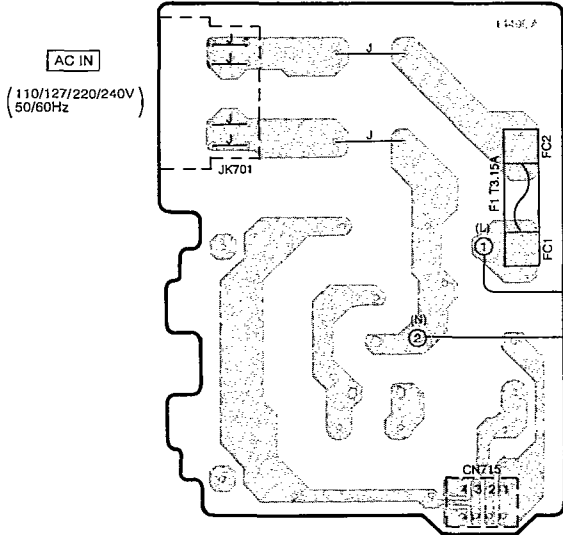


Power Source P.C.B. For [GC] area.

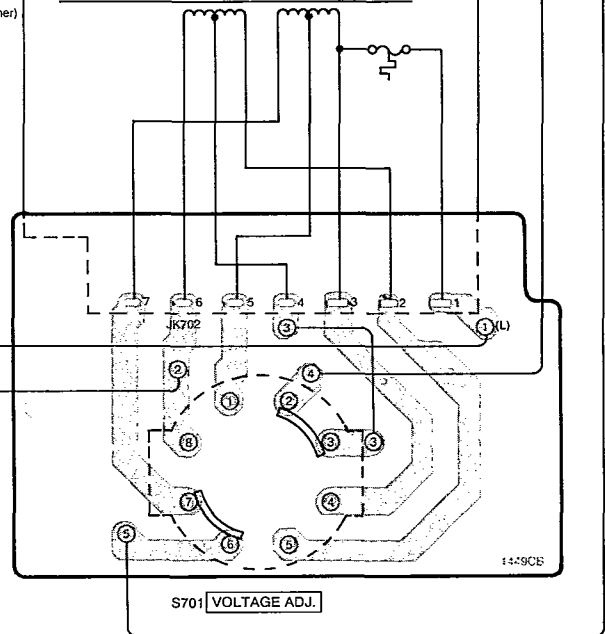
C POWER TRANSFORMER P.C.B. (REP2152B-P)



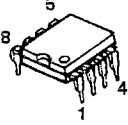
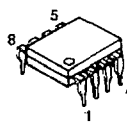
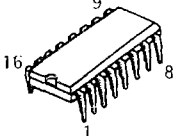
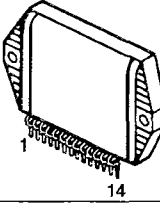
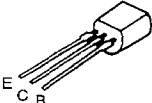
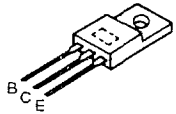

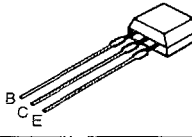
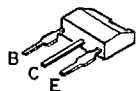
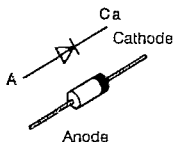
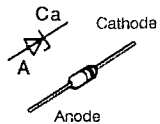
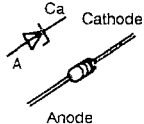
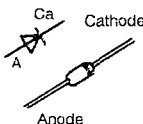
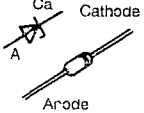
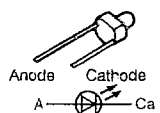
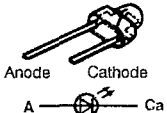
E AC IN TERMINAL P.C.B. (REP2152B-P)



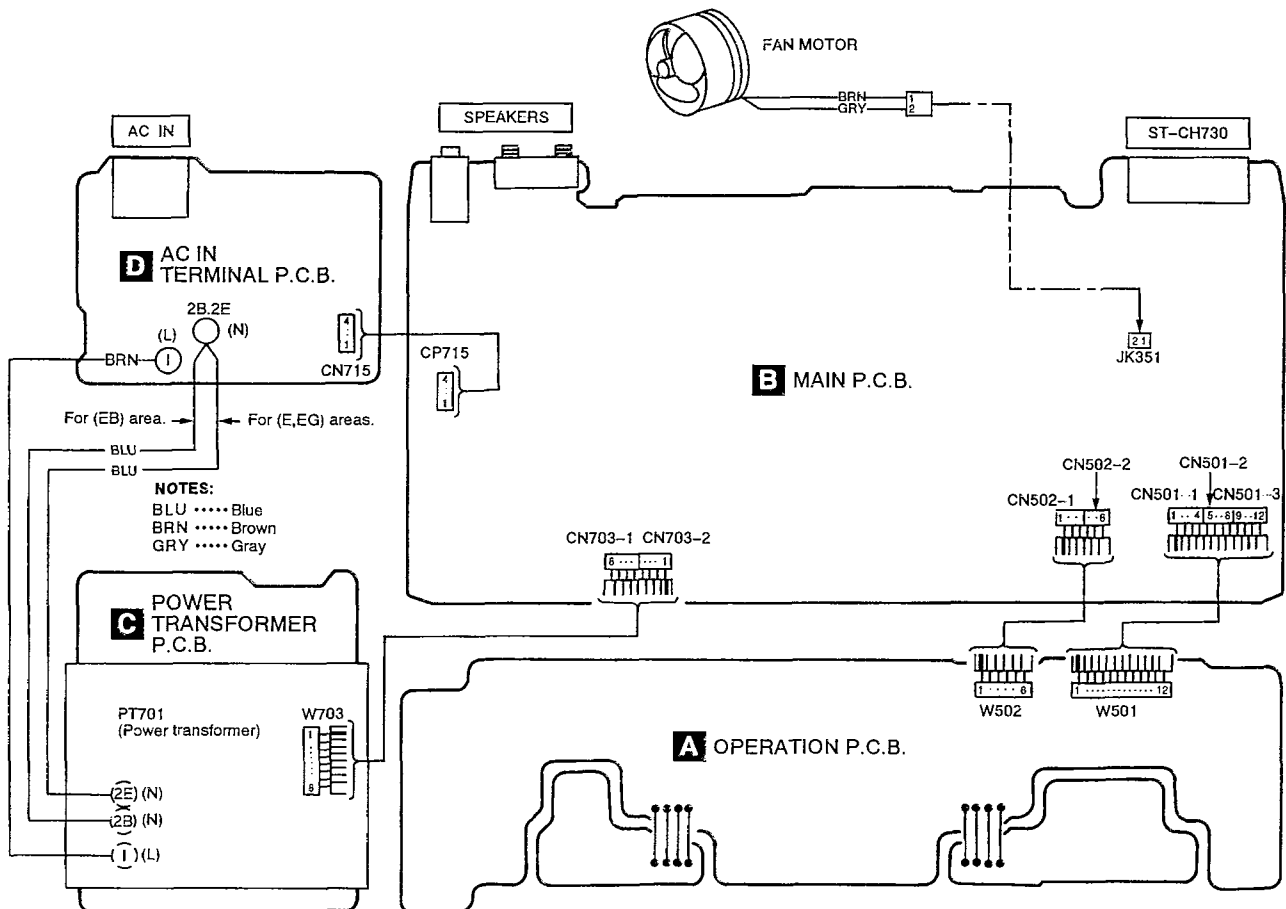
PT701
(Power transformer)



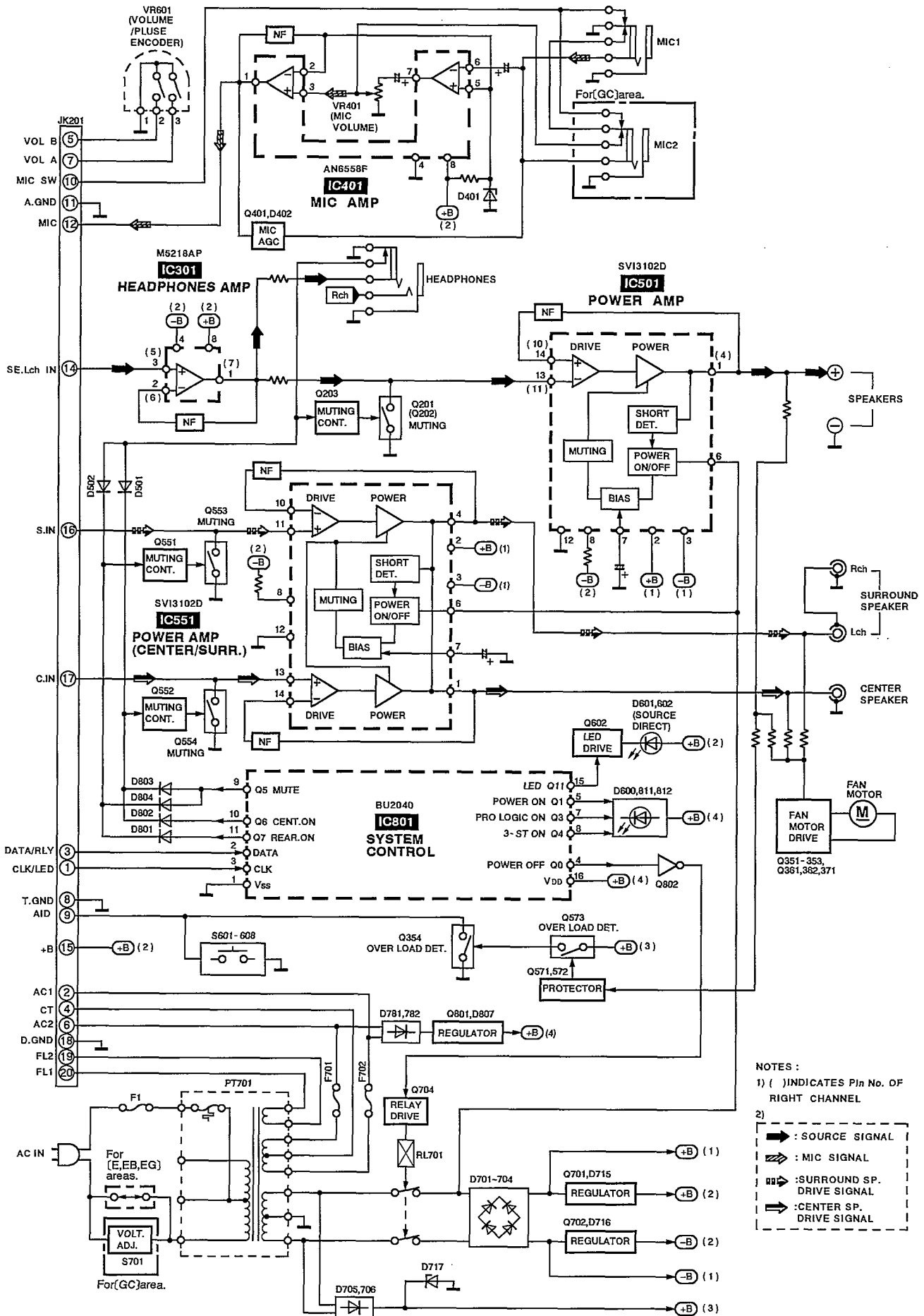
D VOLTAGE SELECTOR P.C.B. (REP2152B-P)

<p>AN6558F</p> 	<p>M5218AP</p> 	<p>BU2040</p> 	<p>SVI3102D</p> 	<p>2SB621A-R</p> 	<p>2SB1548PQAU 2SD2374PQAU</p> 
	<p>UN4115 2SA1309AIQTA 2SA1309AIRTA 2SC3311AIRTA 2SD1450RTA</p>	<p>2SC1740SQ 2SD2144S DTA114ESTP</p> 	<p>2SD1862QSTV6</p> 	<p>1N5402BF RL1N4003N02</p> 	<p>MA4100LTA MA4150M MA4240H</p> 
<p>MA4051MTA MA4075MTA</p> 	<p>MA165 MA700TA 1SS254TA</p> 	<p>MTZJ5R6BTA MTZJ6R2BTA</p> 	<p>SLR-305VC</p> 	<p>LNJ301MPUJAD</p> 	

■ Wiring Connection Diagram



Block Diagram



NOTES :

1) () INDICATES Pin No. OF RIGHT CHANNEL

2)

- ➔ : SOURCE SIGNAL
- ⚡ : MIC SIGNAL
- ⚡⚡ : SURROUND SP. DRIVE SIGNAL
- ➔ : CENTER SP. DRIVE SIGNAL

Replacement Parts List

Notes: *Important safety notice:

 Components identified by Δ mark have special characteristics important for safety

Furthermore, special parts which have purposes of fire-retardant (resistors) high-quality sound (capacitors), low-noise (resistors), etc. are used.

When replacing any of components, be sure to use only manufacturer's specified parts shown in the parts list

*The parenthesized indications in the Remarks columns specify the areas. (Refer to the cover page for area)

Parts without these indications can be used for all areas

*Remote Control Assy Supply period for three years from termination of product on.

*The (SF) mark denotes the standard part.

*<VRD> indicates parts that are supplied by Video Recorder Division

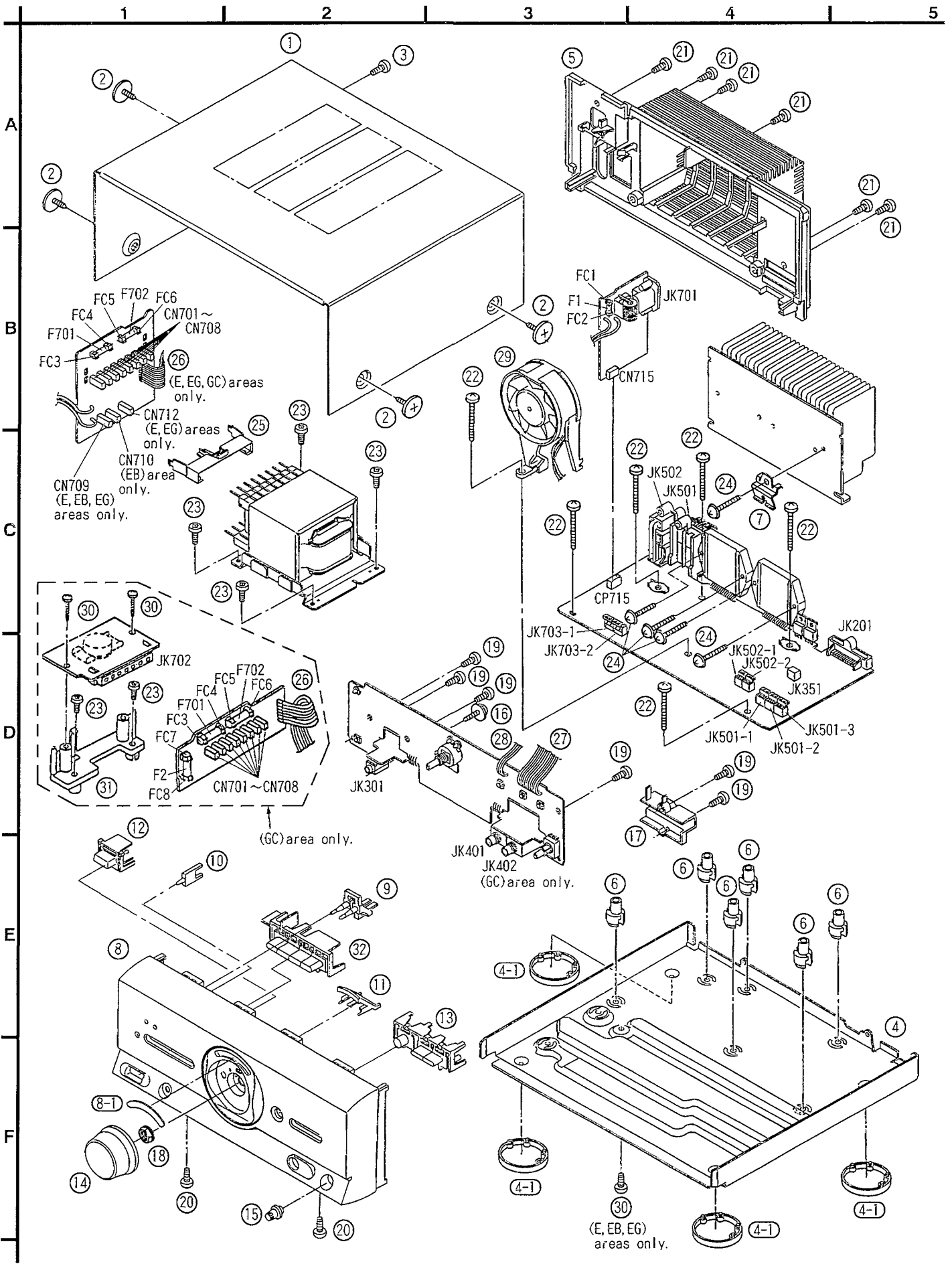
Ref. No.	Part No.	Part Name & Description	Remarks	Ref. No.	Part No.	Part Name & Description	Remarks
		INTEGRATED CIRCUIT(S)		D705, 706	RL1N4003N02	DIODE	Δ
				D712	MA4240H	DIODE	
				D715, 716	MA4150M	DIODE	Δ
				D717	MA4051MTA	DIODE	Δ
				D781, 782	RL1N4003N02	DIODE	Δ
IC301	M5218AP	IC, BUFFER AMP.		D801-804	1SS254TA	DIODE	
IC401	AN6558F	IC, MIC AMP.		D807	MTZJ5R6BTA	DIODE	Δ
IC501	SV13102D	IC, POWER AMP.	Δ	D811, 812	SLR-305VC	LED	
IC551	SV13102D	IC, POWER AMP.	Δ			VARIABLE RESISTOR(S)	
IC801	BU2040	IC, SYSTEM CONTROL					
		TRANSISTOR(S)		VR401	RRV11AD1B14A	V. R. MIC VOLUME CONTROL	
Q201, 202	2SD1450RTA	TRANSISTOR		VR601	EVQWVF2024B	V. R. MAIN VOLUME CONTROL	
Q203	UN4115	TRANSISTOR				COIL(S)	
Q351	2SA1309AIRTA	TRANSISTOR		L501, 502	RLQYR73M	COIL	
Q352	2SB621A-R	TRANSISTOR	Δ	L551, 552	RLQYR73M	COIL	
Q353	2SA1309AIRTA	TRANSISTOR		L701	RLQZ271M	COIL	Δ (E, EB, EG)
Q354	2SC3311AIRTA	TRANSISTOR				FUSE(S)	
Q361	2SD2144S	TRANSISTOR		F1	XBA2C16TB0	FUSE, 250V T1. 6A	Δ (E, EB, EG)
Q362	2SA1309AIRTA	TRANSISTOR		F1	XBA2C31TB0	FUSE, 250V T3. 15A	Δ (GC)
Q371	2SA1309AIRTA	TRANSISTOR		F2	XBA2C16TB0	FUSE, 250V T1. 6A	Δ (GC)
Q401	2SC1740SQ	TRANSISTOR		F701, 702	XBA2C16TB0	FUSE, 250V T1. 6A	Δ
Q551, 552	UN4115	TRANSISTOR				SWITCH(ES)	
Q553, 554	2SD1450RTA	TRANSISTOR		S601	EVQ21405R	SW. POWER	
Q571, 572	2SC3311AIRTA	TRANSISTOR		S602	EVQ21405R	SW. PRO LOGIC	
Q573	2SA1309AIQTA	TRANSISTOR		S603	EVQ21405R	SW. TEST	
Q602	2SC1740SQ	TRANSISTOR		S604	EVQ21405R	SW. DELAY TIME	
Q701	2SD2374PQAU	TRANSISTOR	Δ	S605	EVQ21405R	SW. CENTER MODE	
Q702	2SB1548PQAU	TRANSISTOR	Δ	S606	EVQ21405R	SW. SOURCE DIRECT	
Q704	2SC3311AIRTA	TRANSISTOR		S607	EVQ21405R	SW. EQ SPACE/FLAT	
Q801	2SD1862QSTV6	TRANSISTOR	Δ	S608	EVQ21405R	SW. V. BASS	
Q802	DTA114ESTP	TRANSISTOR		S701	ESE37314	SW. VOLTAGE ADJ	Δ (GC)
		DIODE(S)				CONNECTOR(S)	
D351	MA165	DIODE		CN701-708	RJS1A1101T1	CONNECTOR(1P)	
D352	MA4100LTA	DIODE	Δ	CN709	RJS1A1101T1	CONNECTOR(1P)	(E, EG, EB)
D361	MA4075MTA	DIODE	Δ	CN710	RJS1A1101T1	CONNECTOR(1P)	(EB)
D362	MA165	DIODE		CN712	RJS1A1101T1	CONNECTOR(1P)	(E, EG)
D371	MA700TA	DIODE		CN715	RHX0576004	SOCKET(4P)	
D372	MA165	DIODE					
D401	MTZJ6R2BTA	DIODE	Δ				
D402	1SS254TA	DIODE					
D501, 502	MA165	DIODE					
D600	SLR-305VC	LED					
D601, 602	LNJ301MPUJAD	LED					
D701, 704	1N5402BF	DIODE	Δ				

Notes : * Capacity values are in microfarads (uF) unless specified otherwise, P=Pico-farads (pF) F=Farads (F)
 * Resistance values are in ohms, unless specified otherwise, 1K=1,000 (OHM) , 1M=1,000k (OHM)

Ref. No.	Part No.	Values & Remarks	Ref. No.	Part No.	Values & Remarks	Ref. No.	Part No.	Values & Remarks
R415	ERDS2TJ103	1/4W 10K	R780	ERDS2TJ822	1/4W 8.2K	C414	ECEA1AU331	10V 330U
R420	ERDS2TJ104	1/4W 100K	R783	ERDS2TJ221	1/4W 220	C415	ECBT1H102KB5	50V 1000P
R421	ERDS2TJ223T	1/4W 22K (GC)	R791, 792	ERDS2TJ101	1/4W 100	C416	ECEA1HKA010B	50V 1U
R501, 502	ERDS2TJ102	1/4W 1K	R793	ERQ16NKR15E	1/6W 0.15	C421	ECBT1H102KB5	50V 1000P
R503-506	ERDS2TJ563	1/4W 56K	R801	ERDS2TJ821	1/4W 820	C501, 502	ECA1HAP3R3B	50V 3.3U
R507, 508	ERDS2TJ152	1/4W 1.5K	R802	ERDS2TJ102	1/4W 1K	C503, 504	ECBT1C272KR5	16V 2700P
R509, 510	ERDS2TJ821	1/4W 820	R803	ERDS2TJ122	1/4W 1.2K	C505, 506	ECBT1H150J5	50V 15P
R511	ERDS2TJ334	1/4W 330K	R804	ERDS2TJ152	1/4W 1.5K	C507, 508	ECBT1C472KR5	16V 4700P
R512	ERDS2TJ154	1/4W 150K	R805	ERDS2TJ182	1/4W 1.8K	C509, 510	ECEA1HKA2R2B	50V 2.2U
R513	ERDS2TJ684	1/4W 680K	R806	ERDS2TJ222	1/4W 2.2K	C511, 512	ECBT1C122KR5	16V 1200P
R514 Δ	ERD25FJ470	1/4W 47	R807	ERDS2TJ332	1/4W 3.3K	C513	ECA1VM101B	35V 100U
R515, 516Δ	ERDS1FVJ100T	1/2W 10	R811, 812	ERDS2TJ332	1/4W 3.3K	C514	ECA2AAP100B	100V 10U
R517, 518Δ	ERD25FVJ100T	1/4W 10	R813	ERDS2TJ152	1/4W 1.5K	C515, 516	ECFR1H104ZF	50V 0.1U
R519, 520	ERDS2TJ222	1/4W 2.2K	R815, 816	ERDS2TJ102	1/4W 1K	C517, 518	ECEA1HKAR22B	50V 0.22U
R551, 552	ERDS2TJ222	1/4W 2.2K	R817	ERDS2TJ221	1/4W 220	C551, 552	ECBT1H101KB5	50V 100P
R553, 554	ERDS2TJ102	1/4W 1K	R818	ERDS2TJ104	1/4W 100K	C553, 554	RCE1HKA3R3BG	50V 3.3U
R555, 556	ERDS2TJ104	1/4W 100K	R819, 820	ERDS2TJ102	1/4W 1K	C555, 556	ECBT1H331KB5	50V 330P
R557, 558	ERDS2TJ563	1/4W 56K	R821, 822	ERDS2TJ331	1/4W 330	C557, 558	ECBT1C122KR5	16V 1200P
R559, 560	ERDS2TJ102	1/4W 1K	R823	ERDS2TJ392T	1/4W 3.9K	C561, 562	ECBT1H150J5	50V 15P
R561	ERDS2TJ151	1/4W 150	R824	ERDS2TJ682T	1/4W 6.8K	C563, 564	ECEA1HKA2R2B	50V 2.2U
R562	ERDS2TJ151	1/4W 150	R825, 826	ERDS2TJ393	1/4W 39K	C565, 566	ECFR1H104ZF	50V 0.1
R563, 564	ERDS2TJ563	1/4W 56K				C567, 568	RCE0JKA470BG	6.3V 47U
R565, 566Δ	ERD25FVJ100T	1/4W 10			CAPACITORS	C569	ECA2AAP100B	100V 10U
R567, 568Δ	ERDS1FVJ100T	1/2W 10				C571	RCE0JKA101BV	6.3V 100U
R569	ERDS2TJ823T	1/4W 82K	C251	RCE0JKA221BV	6.3V 220P	C572	ECBT1E223ZF	25V 0.022U
R570	ERDS2TJ124T	1/4W 120K	C301, 302	ECEA1HKA2R2B	50V 0.22U	C701, 702Δ	ECEA45V472YB	45V 4700P
R571	ERDS2TJ823T	1/4W 82K	C303-306	ECBT1H101KB5	50V 100P	C703, 704	ECEA1CKA330B	16V 33U
R572	ERDS2TJ124T	1/4W 120K	C307, 308	RCE1CKA220BG	16V 22U	C705, 706	ECR1H103ZF5	50V 0.01U
R573	ERDS2TJ563	1/4W 56K	C353	ECEA1HKA2R2B	50V 2.2U	C707 Δ	ECA1VM101B	50V 100U
R574	ERDS2TJ564	1/4W 560K	C361	ECEA1AKA221B	10V 220U	C710	ECBT1E103ZF	25V 0.01U
R575	ERDS2TJ223	1/4W 22K	C362, 363	RCE1CKA100BG	50V 10U	C711	ECQE1104KF3	100V 0.1U
R583, 584	ERDS2TJ154	1/4W 150K	C364	ECBT1E103ZF	25V 0.01U	C712	ECBT1E223ZF	25V 0.022U
R585, 586	ERDS2TJ105T	1/4W 1M	C371	RCE0JKA101BV	6.3V 100U	C714	ECR1H103ZF5	50V 0.01U
R587, 588	ERDS2EJ121	1/4W 120	C372	ECBT1E103ZF	25V 0.01U	C731	ECEA1HK010B	50V 1U
R589	ERDS2TJ561	1/4W 560	C381, 382	ECBT1E103ZF	25V 0.01U	C781 Δ	ECA1EM101B	25V 100U
R590	ERDS2TJ334	1/4W 330K	C395, 396	ECBT1E223ZF	25V 0.022U	C799	ECBT1H104ZF5	50V 0.1U
R591 Δ	ERD25FJ470	1/4W 47	C397, 398	ECBT1E103ZF	25V 0.01U	C801	ECEA1CKA100B	16V 10U
R602	ERDS2TJ561	1/4W 560	C401	ECBT1H221KB5	50V 220P	C802	ECBT1E103ZF	25V 0.01U
R605	ERDS2TJ331	1/4W 330	C403	ECEA1HKA010B	50V 1U	C803	ECBT1H104ZF5	50V 0.1U
R701 Δ	ERD2FCV14R7T	1/4W 4.7	C404	ECBT1H221KB5	50V 220P	C804, 805	ECBT1H471KB5	50V 470P
R702 Δ	ERQ16NKR2R2E	1/6W 2.2	C405	ECBT1H151KB5	50V 150P	C905, 906	ECBT1H101KB5	50V 100P
R703, 704	ERDS2TJ562	1/4W 5.6K	C406, 407	ECEA1HKA3R3B	50V 3.3U	C1101, 1102	ECBT1H473ZF5	50V 0.047
R705	ERDS2TJ333	1/4W 33K	C408	ECBT1H181KB5	50V 180P	C1103-1106	ECBT1H102KB5	50V 1000P
R706	ERDS2TJ100	1/4W 10	C409	ECEA1HKA2R2B	50V 0.22U (E, EB, EG)	C1107, 1108	ECBT1H473ZF5	50V 0.047
R709	ERG1SJ331E	1W 330	C409	ECEA1HKA47B	50V 0.47U (GC)	C1109-1111	ECBT1H102KB5	50V 1000P
R711	ERG1SJ391E	1W 390	C410	ECBT1E223ZF	25V 0.022U			
R716	ERDS2TJ392T	1/4W 3.9K	C411	ECBT1E103ZF	25V 0.01U			
R717	ERDS2TJ473	1/4W 47K	C412	ECBT1E223ZF	25V 0.022U			
R731	ERDS2TJ104	1/4W 100K	C413	ECEA1HKA2R2B	50V 2.2U			

Ref. No.	Part No.	Part Name & Description	Remarks	Ref. No.	Part No.	Part Name & Description	Remarks
		CABINET PARTS LIST					
1	RKM0202A-K	TOP CABINET		P6	RPN0892	PAD (DECK)	
2	RHD30007-K1	SCREW		P7	RPN0891	PAD (AMPLIFIER)	
3	XTBS3+10JFZ1	SCREW		P8	SPP740	PROTECTION COVER	
4	RFKJECH530EK	BOTTOM BOARD ASS'Y	(E, EB, EG)	P9	RPF0139	PROTECTION COVER	
4	RFKJECH730GC	BOTTOM BOARD ASS'Y	(GC)	P10	RPQ0522	SPACER	
4-1	RKA0011-3	FOOT		P11	RPQ0541	SPACER	
5	RFKJECH730EK	REAR PANEL ASS'Y	(E, EG)			ACCESSORIES	
5	RFKJECH730EB	REAR PANEL ASS'Y	(EB)	A1	RAK-CH740WH	REMOTE CONTROL TRANSMITTER	(E, EB, EG)
5	RFKJECH730GC	REAR PANEL ASS'Y	(GC)	A1	RAK-CH741WH	REMOTE CONTROL TRANSMITTER	(GC)
6	RKQ0089	P. C. B. SPACER		A1-1	RKK0020-K	BATTERY COVER	
7	RMCO158	TRANSISTOR HOLDER		A2	REE0393	SPEAKER CORD	
8	RFKGECH730EK	FRONT PANEL ASS'Y	(E, EB, EG)	A3	REX0660	FLAT CABLE (MEDIUM)	
8	RFKGECH730GC	FRONT PANEL ASS'Y	(GC)	A4	REX0608	FLAT CABLE (SHORT)	
8-1	RGK0714-K	ILLUMINATER		A5	REX0661	FLAT CABLE (LONG)	
9	RGL0304-Q	PANEL LIGHT		A6	RJA0019-2K	AC POWER SUPPLY CORD	△ (SF) (E, EG, GC)
10	RGL0282-Q	PANEL LIGHT		A6	VJA0733	AC POWER SUPPLY CORD	△ (SF) <VRD> (EB)
11	RGL0292-Q	POWER LIGHT		A7	RFKSECH730EK	INSTRUCTION MANUAL	
12	RGU1224-K	BUTTON, POWER		A7	RFKSECH730EB	INSTRUCTION MANUAL	(EB)
13	RGU1225-K	BUTTON, OPERATION		A7	RQT3239-G	INSTRUCTION MANUAL	(GC)
14	RGW0207-1K	KNOB, MAIN		A7	RQT3118-E	INSTRUCTION MANUAL	(EG)
15	RGW0235-K	KNOB, MIC		A8	RQA0013	WARRANTY CARD	(E, EB, EG)
16	RHD26016	SCREW		A9	RQCB0169	SERVICE CENTER LIST	
17	RMNO329	HOLDER		A10	RSA0012	AM LOOP ANTENNA	
18	SNE4021-1	NUT		A10-1	RMN0244	ANTENNA HOLDER	
19	XTBS26+10J	SCREW		A10-2	XTN3+12AFZ	SCREW	
20	XTBS3+8JFZ1	SCREW		A11	RSA0007	FM INDOOR ANTENNA	(E, EB, EG)
21	XTB3+10JFZ	SCREW		A11	RSA0006	FM INDOOR ANTENNA	(GC)
22	XTB3+20JFZ	SCREW		A12	SJP5213-2	POWER PLUG ADAPTOR	(GC)
23	XTB3+8JFZ	SCREW		A13	RFA0624-K	SURROUND SPEAKER CORD	(E, EB, EG)
24	XTW3+15T	SCREW		A14	SJP9009	ATTACHMENT PLUG	(EB)
25	RMNO191	HOLDER				GREASE OR JIG/TOOL	
26	RWJ1808130XX	FLAT CABLE (8P) (J703)	(E, EB, EG)				
26	RWJ1808100XX	FLAT CABLE (18P) (J703)	(GC)	SA1	RFKX0002	COMPOUND GREASE	
27	RWJ7012220QC	FLAT CABLE (12P) (W501)					
28	RWJ7006200QC	FLAT CABLE (6P) (W502)					
29	REM0057	FAN					
30	XTB3+12JFZ	SCREW					
31	RMNO190-1	HOLDER	(GC)				
32	RGU1276-K	BUTTON					
		PACKING MATERIALS					
P1	RPG2638	PACKING CASE (SYSTEM)	(E, EG)				
P1	RPG2639	PACKING CASE (SYSTEM)	(EB)				
P1	RPG2640	PACKING CASE (SYSTEM)	(GC)				
P2	RPG2708	PACKING CASE (CD-TUNER)					
P3	RPG2707	PACKING CASE (DECK)					
P4	RPG2706	PACKING (AMPLIFIER)					
P5	RPN0893	PAD (CD-TUNER)					

Cabinet Parts Location



■ Packaging

1058

